

Quad Link (QLA)

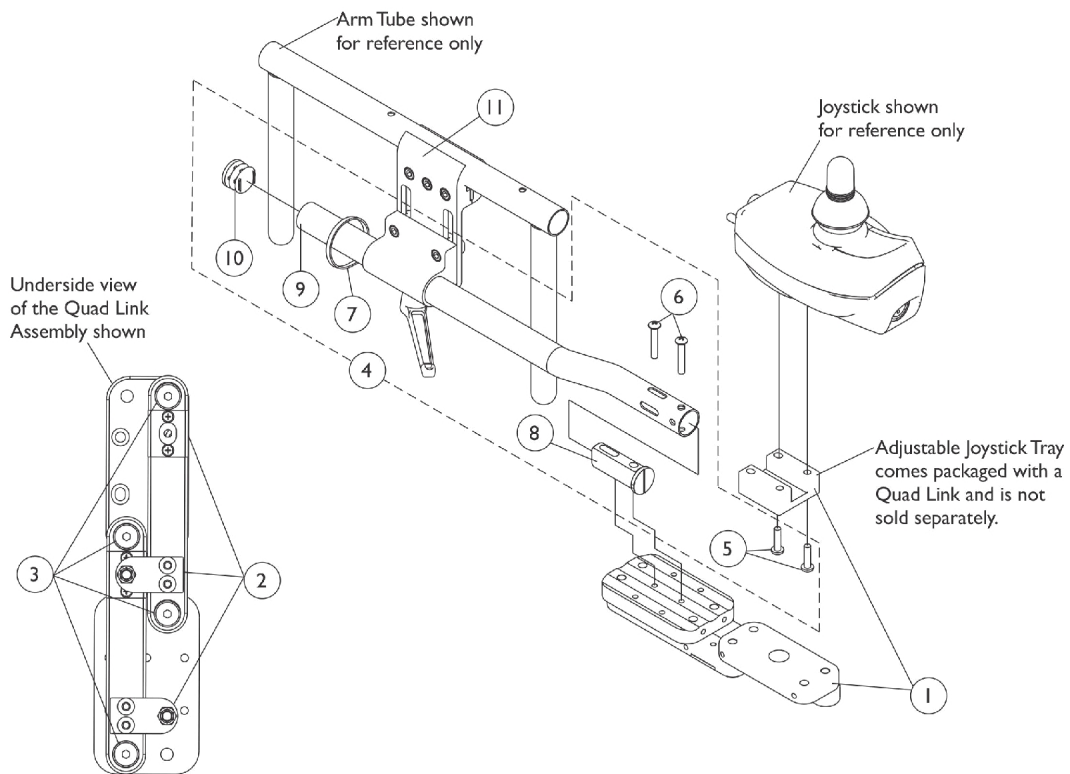
After 10/30/05

NOTE: Quad Link Mounting Hardware (item 4), a Quad Link (item 1) and Height Adjustable Joystick Clamp (item 11) must be ordered when:

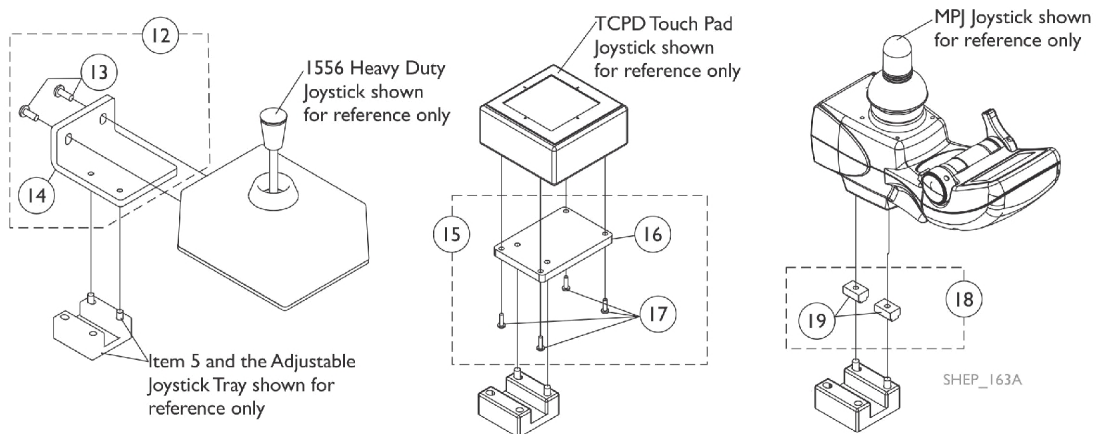
a) Converting an old style Quad Link that attaches to a mounting plate.

b) Flex joystick tube or Touch Pad joystick tube was used.

Substitute (item 4) with 2 each of the Phillips Pan Head Screws (item 5) when an offset joystick tube is currently on the chair. Additional joystick mounting hardware must be ordered when a 1556 Heavy Duty, TCPD Touch Pad or MPJ joystick is used.



Screw Fastener and Quad Link Latch Hardware



Quad Link (QLA)

After 10/30/05

NOTE: Quad Link Mounting Hardware (item 4), a Quad Link (item 1) and Height Adjustable Joystick Clamp (item 11) must be ordered when:

a) Converting an old style Quad Link that attaches to a mounting plate.

b) Flex joystick tube or Touch Pad joystick tube was used.

Substitute (item 4) with 2 each of the Phillips Pan Head Screws (item 5) when an offset joystick tube is currently on the chair. Additional joystick mounting hardware must be ordered when a 1556 Heavy Duty, TCPD Touch Pad or MPJ joystick is used.

Item Number	Note	Part Number	Description	Quantity Per	
				Package	Assembly
1	G	1140896	Quad Link w/ Adjustable Joystick Tray (QLA) and Instruction Sheet - Right	1	1
1	G	1140897	Quad Link w/ Adjustable Joystick Tray (QLA) and Instruction Sheet - Left	1	1
2	A	1140425	Kit, Quad Link Latch Hardware	1	1
3	B	1140424-NLA	NLA - Kit, Quad Link Screw Fastener Hardware	1	1
4	C,C1	1139416	Kit, ASBA/ADJASBA Quad Link Mounting Hardware	1	1
5			Screw, Phillips Pan Head w/ Patch (#10-32 x 3/4")	1	2
6			Screw, Phillips Pan Head (#10-32 x 1-1/8")	1	2
7			Tie Wrap (11-1/2" L)	1	1
8			Spacer, Joystick Tube, Black	1	1
9			Tube, Joystick Offset (1/2")	1	1
10			Plug Button, Black (7/8")	1	1
5		1105414	Screw, Phillips Pan Head w/ Patch (#10-32 x 3/4")	1	2
11	I	1139422	Clamp, Height Adjustable Joystick Tube (ARM250)	1	1
12	D	1139925-NLA	NLA - Kit, 1556 Heavy Duty Joystick To Quad Link Mounting Hardware	1	1
13			Screw, Phillips Pan Head (#10-32 x 1/2")	1	2
14			NLA - Plate, 1556 HD Joystick Quad Link	1	1
15	E	1139683-NLA	NLA - Kit, TCPD Touch Pad To Quad Link Mounting Hardware	1	1
16			Plate, TCPD Touch Pad Quad Link	1	1
17			Screw, Phillips Pan Head (#4-40 x 3/8")	1	4
18	F	1139682-NLA	NLA - Kit, MPJ Joystick To Quad Link Mounting Hardware	1	1
19			NLA - T-Nut (#10-32)	1	2
	H	1134844	Instruction Sheet, Quad Link	1	1

NOTE: A - Latch Kit includes 4 ea. Button Head Cap Screws (10-32 x 3/8"), 2 ea. Latch Spring Assembly, 4 ea. Phillips Flat C'Sunk Head Screws, 2 ea. Spring Catch Plates, 2 ea. Socket Head Set Screws (10-32 x 3/8")
 B - Screw Fastener Kit includes 4 ea. Socket Head Shoulder Screws (3/8 x 3/8"), 2 ea. Socket Head Cap Screws (1/4-20 x 3/8"), 2 ea. Socket Head Set Screws (1/4-20 x 1/2"), 4 ea. Socket Head Set Screws (10-32 x 1/8")
 C - Includes items 5-10. The Quad Link Mounting Hardware accommodates MK5 DPJ and MPJ joysticks.
 C1 - When ordering the Quad Link for the first time, Additional hardware is required for 1556 Heavy Duty, TCPD Touch Pad joysticks and (MPJ joysticks if the T-nuts are missing). See pictorial for reference.
 D - Includes items 13 and 14
 E - Includes items 16 and 17
 F - Includes 2 ea. of item 19
 G - The 4-Way Switch Mounting Plate has changed and may be required when converting a Quad Link assembled to a mounting plate over to a Quad Link introduced after 10/30/05
 H - Not Shown
 I - Individual components are non-saleable