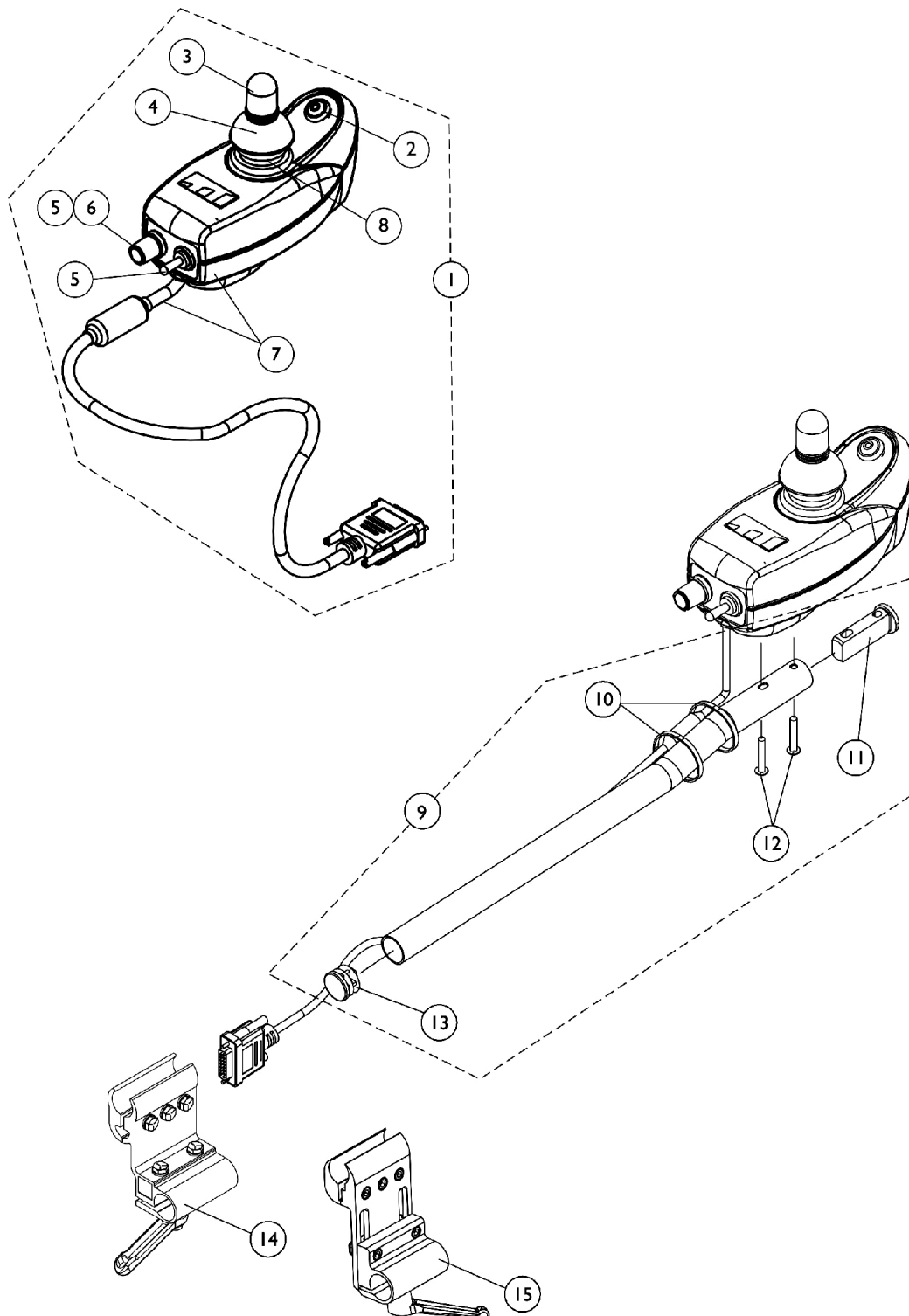


MK5 DPJ Joystick and Mounting Hardware



MK5 DPJ Joystick and Mounting Hardware

Item Number	Note	Part Number	Description	Quantity Per	
				Package	Assembly
1	A,G	1112980E-NLA	NLA - WARR RPLMT - Joystick, MK5 DPJ	1	1
	C,H	1165489-NLA	NLA - Kit, MK5 DPJ to MPJ Conversion	1	1
			NLA - Joystick, MK5 MPJ	1	1
			NLA - Joystick Offset Tube w/ Hardware, Black (1/2")	1	1
2	F	1119441-NLA	NLA - Switch Assembly, Mode	1	1
3		1040217	Knob, Joystick Rubber, Black	1	1
4		1040218	Skirt, Joystick Rubber, Black	1	1
5		1025516-NLA	NLA - Knob, Speed Control	1	1
6		1119440-NLA	NLA - Switch Assembly, Power/ Drive Select/Speed Potentiometer NOTE:Power/Drive Select and Speed Potentiometer switches are assembled to one connector and sold as one assembly	1	1
7		1119443-NLA	NLA - Bottom Housing w/ Cable Assembly, MK5 DPJ/ SPJ-80	1	1
8		1115235-NLA	NLA - Inductive, MK5 MPJ/ DPJ/ SPJ-80 Joystick	1	1
9	B	1093069	Kit, 1/2" Offset Joystick Tube with Hardware	1	1
10		1095502-NLA	NLA - Package, Tie Wrap (11-1/2" L)	10	2
11		1093063	Spacer, Joystick Tube, Black	1	1
12		1025714	Screw, Phillips Pan Head (#10-32 x 1-1/8")	1	2
13		1027095	Plug Button, Black (7/8")	1	1
14	E	1093071	Clamp, Fixed Height Joystick Tube	1	1
15	D,E	1139422	Clamp, Height Adjustable Joystick Tube (ARM250)	1	1
	C	1006270	Extension, Joystick, "T" Style (1560) (4" W x 5-1/2" L)	1	1
	C	1006271	Extension, Joystick, Straight Style (1561) (1/2" W x 5" L)	1	1

NOTE: A - Includes items 2-8. Hardware is not included.
B - Includes items 10-13.
C - Not Shown.
D - Introduced 10/31/05 as option (ARM250) and can be used to replace a Fixed Height Joystick Clamp in the field
E - Individual components are non-saleable.
F - Mode switch is no longer available for aftermarket sales. Please contact Invacare Customer Service to obtain a return authorization number for repair/estimate for repair.
G - No longer available. Replaced with 1165489.
H - Kit is No Longer Available. You must now order the MK5 MPJ Joystick separately from the Mounting Hardware. Choose either the Joystick Tube w/ Hardware or the Quad Link w/ Hardware. See Category titled, "Electronics - MK5 MPJ Joystick & Mounting Hardware".