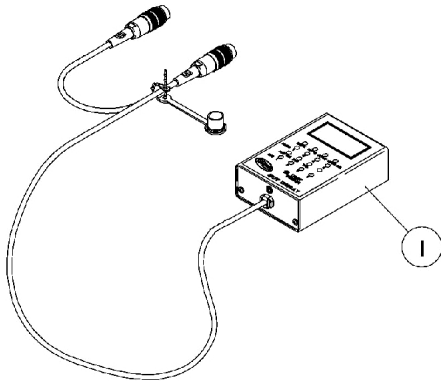
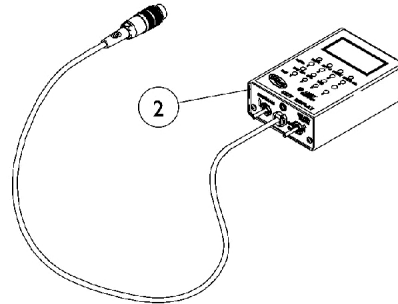


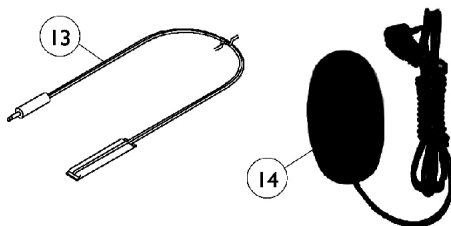
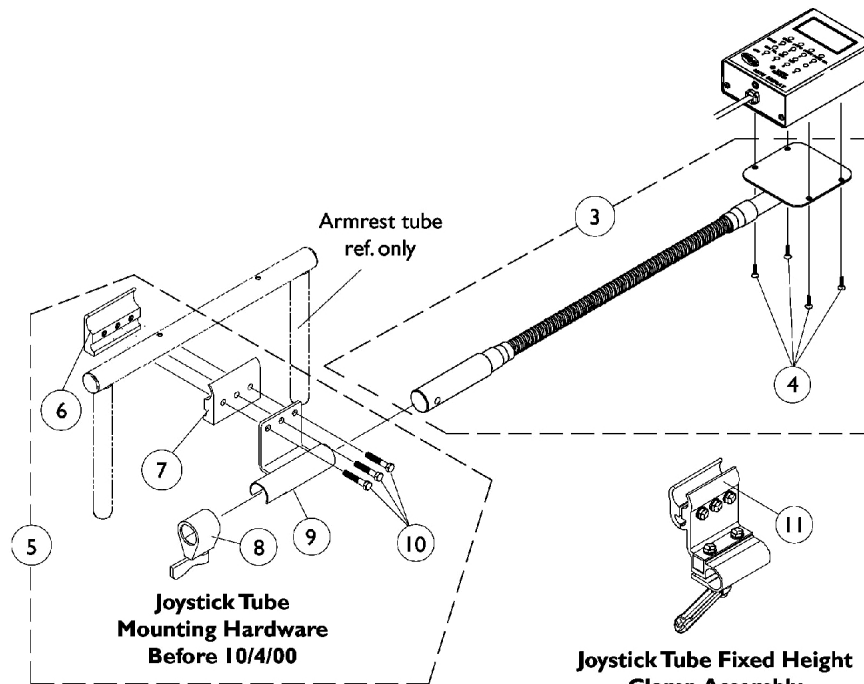
# MKIV Displays



**1108490**  
Display without  
switches



**1108489**  
Display with switches



**Joystick Tube Height Adjustable  
Clamp Assembly (ARM250)**

## MKIV Displays

Item Number	Note	Part Number	Description	Quantity Per	
				Package	Assembly
1		1108490-NLA	NLA - Display without Switches	1	1
2		1108489	Display with Switches	1	1
3	A	1049594-NLA	NLA - Tube, Flex with Screws	1	1
4		1052041	Screw, Phillips Pan Head (#4-40 x 3/8")	1	4
5	B	1049591-NLA	NLA - Hardware, Joystick Tube Mounting	1	1
6		1027267-NLA	NLA - Half Clamp, Threaded Holes	1	1
7		1027266	Half Clamp, Non-Threaded Holes	1	1
8		1027274	Adjustment Lock Assembly, Black	1	1
9		1049582-NLA	NLA - Bracket, Joystick Mounting, Black	1	1
10		16690X004-NLA	NLA - Screw, Hex Head (1/4-20 x 1-1/8")	1	3
11	C	1093071	Clamp, Fixed Height Joystick Tube	1	1
12	F	1139422	Clamp, Height Adjustable Joystick Tube (ARM250)	1	1
13	D	1020818	Switch, Red Flex Ribbon (Tape) Reset	1	1
14	E	1123276	Kit, Switch, Black Egg Reset w/ Hook/Loop Adhesive Back Fastener & Attaching Screws (EGSBLK)	1	1

NOTE: A - Includes the Flex Tube and item 4  
 B - Before 10/4/00 and includes items 6-10  
 C - After 10/3/00 and can be used as a direct replacement for the Joystick Tube Mounting Hardware part number 1049591 in the field  
 D - Before 5/24/04  
 E - After 5/23/04 the Egg Reset Switch replaced the Red Flex Ribbon (Tape) Reset Switch  
 F - Introduced 10/31/05 as option (ARM250) and can be used to replace a Fixed Height Joystick Tube Clamp in the field.  
 Individual components are non-saleable