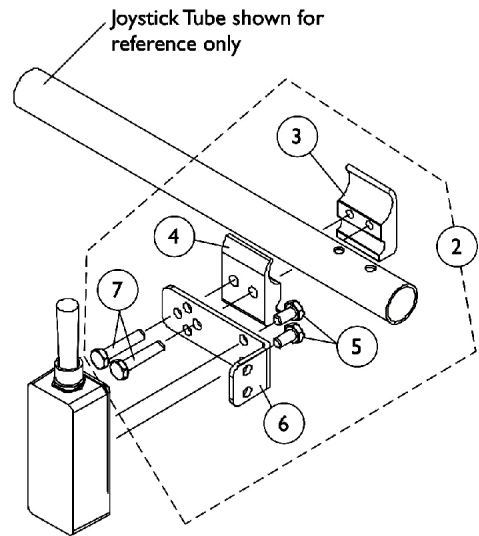
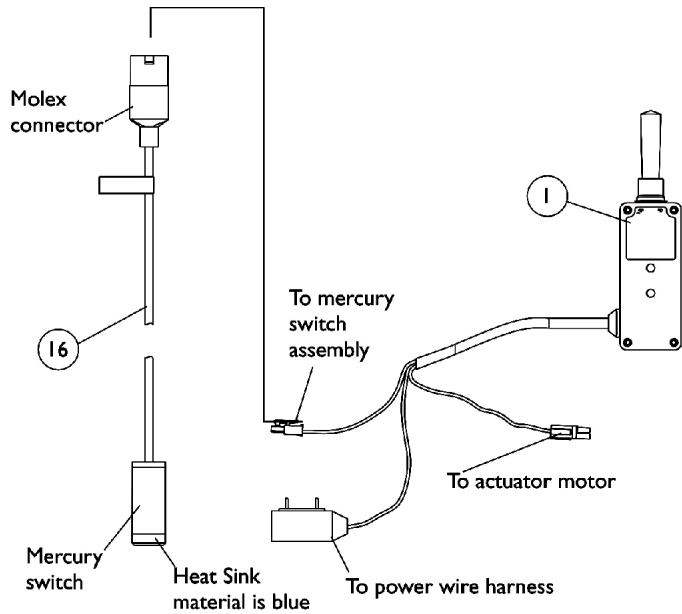
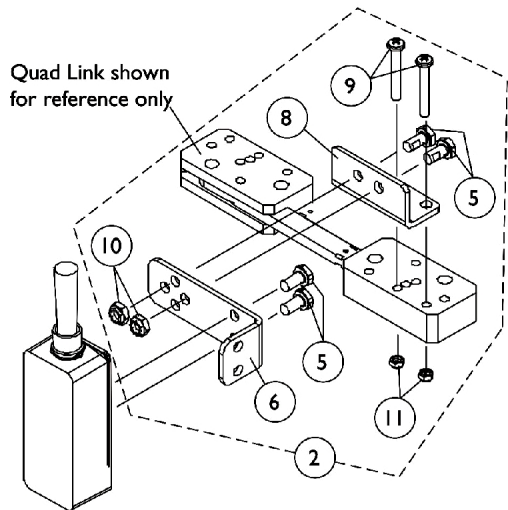
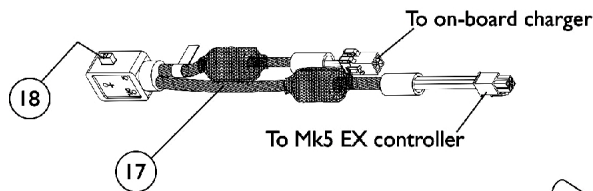


Tilt Recline Single Switch (TRSS)

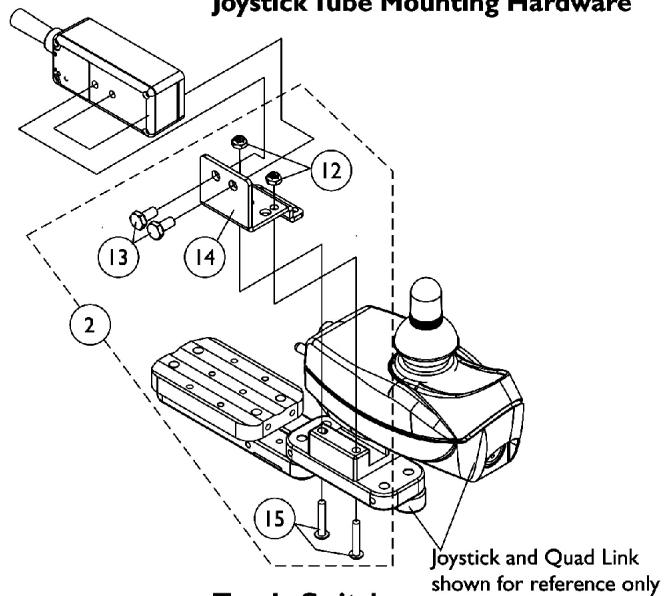
As of 7/1/2009, switches are mercury free. TRSS Tilt Recline Single Switch is not used with MK6i electronics.



Toggle Switch Joystick Tube Mounting Hardware



Toggle Switch Quad Link Mounting Hardware Before 10/31/05



Toggle Switch Quad Link Mounting Hardware After 10/30/05

Tilt Recline Single Switch (TRSS)

As of 7/1/2009, switches are mercury free. TRSS Tilt Recline Single Switch is not used with MK6i electronics.

Item Number	Note	Part Number	Description	Quantity Per	
				Package	Assembly
1		1089384	Switch, Toggle Tilt Recline Single (TRSS)	1	1
2	A	1091496	Kit, Joystick Tube Toggle Switch Mounting Hardware	1	1
3			NLA - Half Clamp, Threaded Holes	1	1
4			Half Clamp, Non-Threaded Holes	1	1
5			Screw, Hex Head w/ Patch (1/4-20 x 1/2")	1	2
6			NLA - Bracket, Toggle Switch Mounting, Black	1	1
7			NLA - Screw, Hex Head (1/4-20 x 1-1/8")	1	2
2	B	1091497-NLA	NLA - Kit, Quad Link Toggle Switch Mounting Hardware	1	1
5			Screw, Hex Head w/ Patch (1/4-20 x 1/2")	1	4
6			NLA - Bracket, Toggle Switch Mounting, Black	1	1
8			NLA - Bracket, Quad Link Toggle Switch Mounting, Black	1	1
9			Screw, Phillips Pan Head (#10-32 x 1-3/8")	1	2
10			Locknut (1/4-20)	1	2
11			Locknut (#10-32)	1	2
2	C	1139684-NLA	NLA - Kit, Quad Link Toggle Switch Mounting Hardware	1	1
12			Locknut (#10-32)	1	2
13			Screw, Hex Head w/ Patch (1/4-20 x 1/2")	1	2
14			Bracket, Toggle Switch Mounting, Black	1	1
15			Screw, Phillips Pan Head w/Patch (#10-32 x 7/8")	1	2
16		1080635-NLA	NLA - Harness, Recline/Tilt Limit Mercury Free Ball Switch	1	1
17	D	1127429-NLA	NLA - Cable, Splitter Auxiliary Power	1	1
18		1090117-NLA	NLA - Fuse - Buss Mini ATM-15 (15 AMP)	1	1
	E	1106544-NLA	NLA - Kit, Switch Clip with Mounting Hardware	1	1
			NLA - Bracket, Cable/Wire Mounting, Black	1	1
			Screw, Phillips Pan Head Tap (#10-16 x 3/4")	1	1
			Lockwasher, External Tooth (#10)	1	1

NOTE: A - Includes items 3-7
 B - Before 10/31/05 and Includes items 5, 6 and 8-11
 C - After 10/30/05 and includes items 12-15
 D - Used for Pronto M71 and M91 models with on-board chargers
 E - Not Shown. Includes 1 ea. part number 0062800, 1 ea. 0065706 and 1 ea. 1077143. Switch Clip Hardware is used to mount the Recline/Tilt Mercury Switch Harness