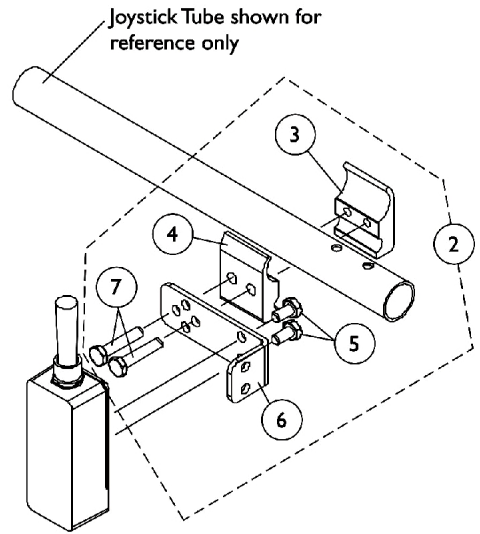
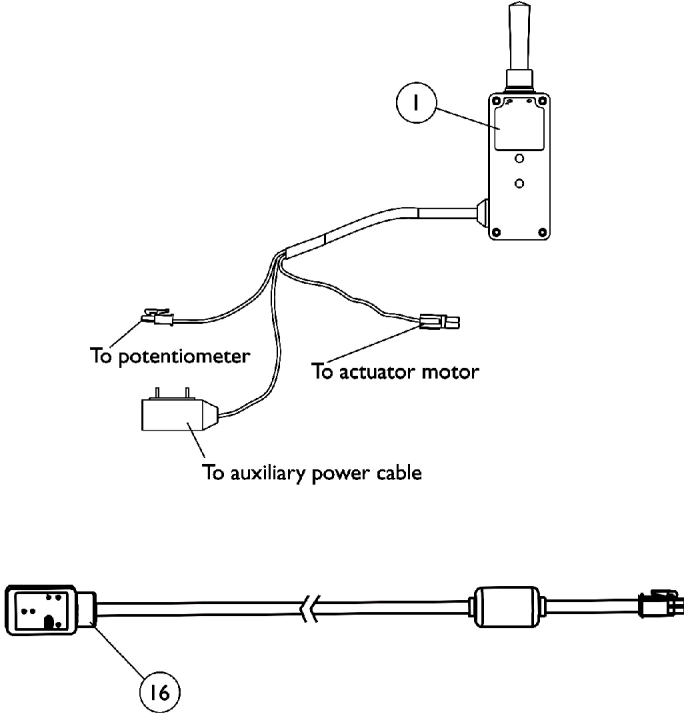


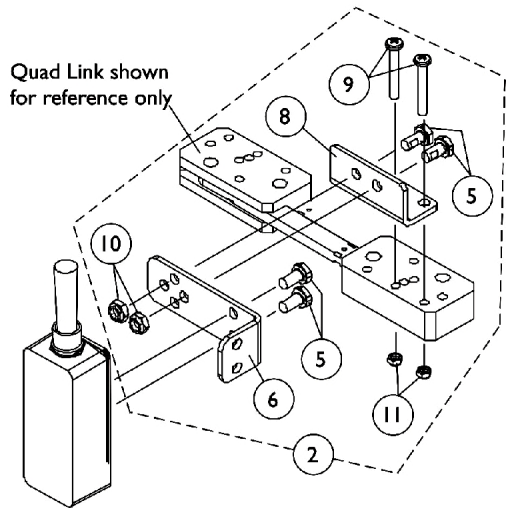
Electronics

Tilt Recline Single Switch (TRSS)

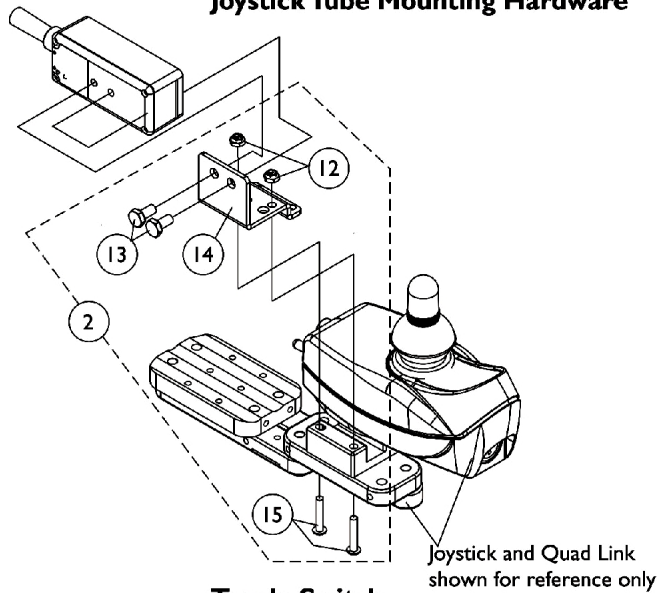
TRSS Tilt Recline Single Switch is not used with MK6i electronics.



**Toggle Switch
Joystick Tube Mounting Hardware**



**Toggle Switch
Quad Link Mounting Hardware
Before 10/31/05**



**Toggle Switch
Quad Link Mounting Hardware
After 10/30/05**

Electronics

Tilt Recline Single Switch (TRSS)

TRSS Tilt Recline Single Switch is not used with MK6i electronics.

Item Number	Note	Part Number	Description	Quantity Per	
				Package	Assembly
1	C	1089384	Switch, Toggle Tilt Recline Single (TRSS)	1	1
2	A	1091496	Kit, Joystick Tube Toggle Switch Mounting Hardware	1	1
3			NLA - Half Clamp, Threaded Holes	1	1
4			Half Clamp, Non-Threaded Holes	1	1
5			Screw, Hex Head w/ Patch (1/4-20 x 1/2")	1	2
6			NLA - Bracket, Toggle Switch Mounting, Black	1	1
7			NLA - Screw, Hex Head (1/4-20 x 1-1/8")	1	2
2	B	1091497-NLA	NLA - Kit, Quad Link Toggle Switch Mounting Hardware	1	1
5			Screw, Hex Head w/ Patch (1/4-20 x 1/2")	1	4
6			NLA - Bracket, Toggle Switch Mounting, Black	1	1
8			NLA - Bracket, Quad Link Toggle Switch Mounting, Black	1	1
9			Screw, Phillips Pan Head (#10-32 x 1-3/8")	1	2
10			Locknut (1/4-20)	1	2
11			Locknut (#10-32)	1	2
2	D	1139684-NLA	NLA - Kit, Quad Link Toggle Switch Mounting Hardware	1	1
12			Locknut (#10-32)	1	2
13			Screw, Hex Head w/ Patch (1/4-20 x 1/2")	1	2
14			Bracket, Toggle Switch Mounting, Black	1	1
15			Screw, Phillips Pan Head w/Patch (#10-32 x 7/8")	1	2
16		1119418	Cable, Auxiliary Power	1	1

NOTE: A - Includes Items 3-7
 B - Before 10/31/05 and Includes Items 5, 6, and 8-11
 C - The TRSS switch was revised 5/15/03 starting with serial number 03C154725 to function with MK5 electronics. TRSS switches with serial numbers before 03C154725 are not compatible with MK5 electronics.
 D - After 10/30/05 and includes items 12-15