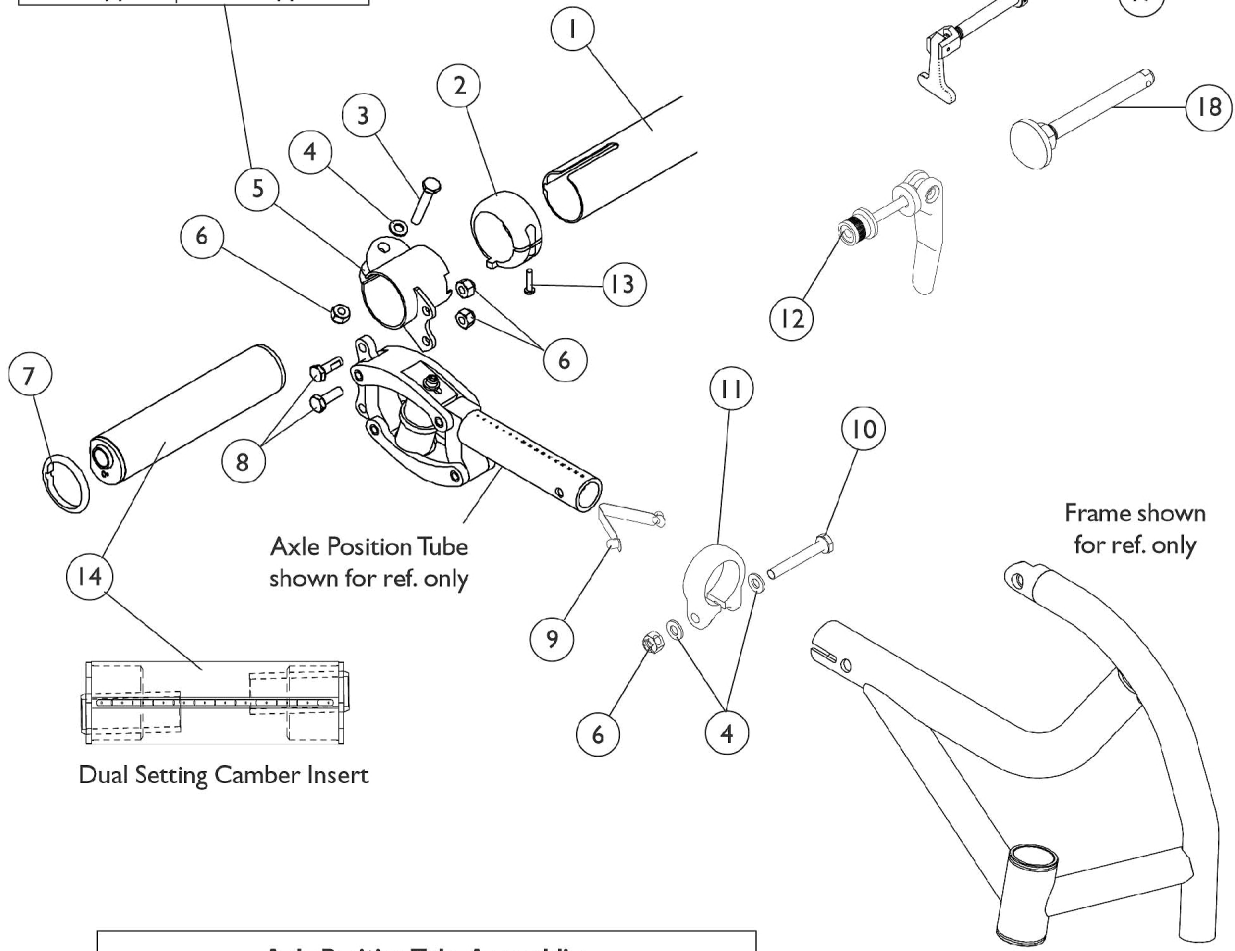
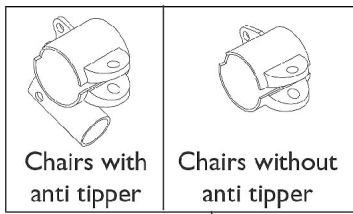
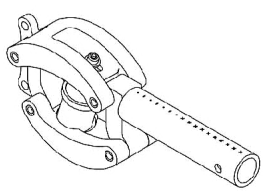
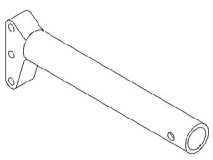


Axles, Camber Bars, and Wheel Attaching Hardware



Axle Position Tube Assemblies	
	
Suspension	Non-Suspension

Axles, Camber Bars, and Wheel Attaching Hardware

Item Number	Note	Part Number	Description	Quantity Per	
				Package	Assembly
1		See Chart	#1 Axle Tubes	1	1
2		1065886	Ring, Toe-In/Toe-Out Adjusting	1	2
3		1055347-NLA	NLA - Screw, Hex Head (1/4-28 x 1-1/2")	1	2
3	A,B	1083913	Pin, Quick Release	1	1
4		1026907	Washer (1/4 x 1/2 x 1/16")	1	2
5		1098115-NLA	NLA - Clamp, Camber without Anti-Tip Mount - Right	1	1
5		1098116-NLA	NLA - Clamp, Camber without Anti-Tip Mount - Left	1	1
5		1098117-NLA	NLA - Clamp, Camber with Anti-Tip Mount - Right	1	1
5		1098118-NLA	NLA - Clamp, Camber with Anti-Tip Mount - Left	1	1
6		1065362	Locknut (1/4-28)	1	2
7		1065887-NLA	NLA - Ring, Indexing	1	2
8		1080135-NLA	NLA - Screw, Hex Head w/ Patch (1/4-28 x 3/4")	1	2
9		1025763	Spring, Torsion with Double Button	1	1
10		1055348	Screw, Hex Head (1/4-28 x 1-3/4")	1	2
11		1097976-NLA	NLA - Clamp, Tube	1	1
12		1064265-NLA	NLA - Pin, Quick Release	1	2
13		1066489-NLA	NLA - Screw, Thread Forming (M4 x 16mm)	1	2
14		See Chart	#14 Dual Setting Camber Inserts	1	2
15		1062949-NLA	NLA - Decal, Indexing	1	2
16		1040361	Axle, Quick Release w/ Locknut (1/2" x 5")	1	1
17		1043487-NLA	NLA - Axle, Quad Release	1	1
18	C	1068038-NLA	NLA - Axle, Quick Release (Dome)	1	1
18	D	1113049	Axle, Quick Release w/ Dome Button, Black	1	1
18	E	1065303	Axle, Quick Release w/ Flat Button, Black	1	1

NOTE: A - Not Shown
 B - Quick Release Pin may be substituted for Screw (item 3).
 C - Q.R. Axle (1068038) had an Anodized Dome finish. Q.R. Axle part no. 1113049, w/ Black dome button, can be used as a replacement but may want to replace in pairs due to aesthetics.
 D - Used on all Spoke Rear Wheels except SPIN24, SPIN25, and SPIN26
 E - Used on SPIN24, SPIN25, and SPIN26 Spoke Rear Wheels

Axles, Camber Bars, and Wheel Attaching Hardware

#1 Axle Tubes

14" Wide	15" Wide	16" Wide	17" Wide	18" Wide	19" Wide	20" Wide
1065992-NLA	1065993-NLA	1065994-NLA	1065995-NLA	1065996-NLA	1065997-NLA	1065998-NLA

#14 Dual Setting Camber Inserts

Degree Of Angle	Right	Left
0 Degree - 3 Degree	1066219-NLA	1066229-NLA
0 Degree - 6 Degree	1066220-NLA	1066230-NLA
0 Degree - 9 Degree	1066221-NLA	1066231-NLA
0 Degree - 12 Degree	1066222-NLA	1066232-NLA
3 Degree - 6 Degree	1066223-NLA	1066233-NLA
3 Degree - 9 Degree	1066224-NLA	1066234-NLA
3 Degree - 12 Degree	1066225-NLA	1066235-NLA
6 Degree - 9 Degree	1066226-NLA	1066236-NLA
6 Degree - 12 Degree	1066227-NLA	1066237-NLA
9 Degree - 12 Degree	1066228-NLA	1066238-NLA