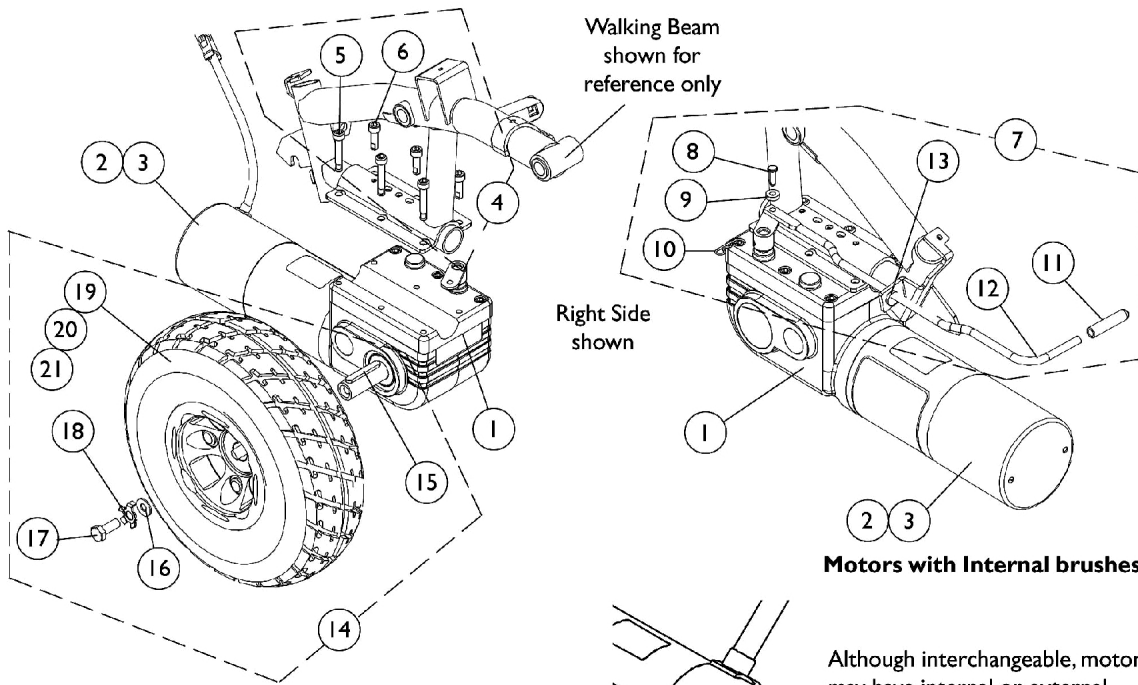
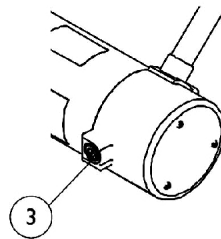


Motor, Gearbox, and Drive Wheel



Motors with Internal brushes



Although interchangeable, motors may have internal or external brushes.

Motors with External brushes
(Introduced 11/03/05)

Motor, Gearbox, and Drive Wheel

Item Number	Note	Part Number	Description	Quantity Per	
				Package	Assembly
1	A,K,N	1163475	Motor/Gearbox Assembly w/ Hardware - Right	1	1
1	A,K,O	1163476	Motor/Gearbox Assembly w/ Hardware - Left	1	1
2	B	1038361-NLA	NLA - Kit, Motor/Brake Covers with Screws	2	1
3	C,D	1123528-NLA	NLA - Kit, Motor Brush - Internal (Large)	2	1
3	E,F	1137265-NLA	NLA - Kit, Motor Brush w/ Cap - External (Pair)	2	1
	G	1122164	Instruction Sheet, Motor Brush Kit	1	1
4	H	1141284	Kit, Motor Mounting Hardware	1	1
5			NLA - Screw, Socket Head (M6 x 1 x 30mm)	1	3
6			Screw, Socket w/ Patch (M6 x 1 x 20mm)	1	3
7	I,L	1127397-NLA	NLA - Kit, Motor Release Lever Hardware	1	1
8			NLA - Pin, Clevis, Black (1/4 x 37/64")	1	1
9			NLA - Washer, Nylon (3/16 x 7/16 x 1/8")	1	1
10			NLA - Pin, Bridge	1	1
11			Tip, Foam, Black	1	1
12			Lever, Motor Release	1	1
13			NLA - Bushing, Snap	1	1
7	I,M	1162489	Kit, Hardware, Motor Release Lever	1	1
8			NLA - Pin, Clevis, Black (1/4 x 37/64")	1	1
9			NLA - Washer, Nylon (3/16 x 7/16 x 1/8")	1	1
10			NLA - Pin, Bridge	1	1
11			Tip, Foam, Black	1	1
12			Lever, Motor Release, Black	1	1
13			NLA - Bushing, Snap	1	1
14	J,P	1102338	Kit, Drive Wheel with Mounting Hardware - Pneumatic (10 x 3")	1	1
15			Key (6mm x 6mm x 40mm)	1	1
16			Washer, Flat (21/64 x 53/64 x 7/64")	1	1
17			Screw (M8 x 1.25 x 20mm)	1	1
18			Kit, Locking Tab Washer w/ Instruction Sheet (Pair)	2	1
21			NLA - Wheel Assembly, Drive w/ Bearings, Pneumatic (10" x 3")	1	1
19		1109005	Tire, Pneumatic, Grey (10" x 3")	1	1
20		1109028-NLA	NLA - Tube, Inner (10 x 3")	1	1
14	J,Q	1102339	Kit, Drive Wheel with Mounting Hardware - Flat Free (10 x 3")	1	1
15			Key (6mm x 6mm x 40mm)	1	1
16			Washer, Flat (21/64 x 53/64 x 7/64")	1	1
17			Screw (M8 x 1.25 x 20mm)	1	1
18			Kit, Locking Tab Washer w/ Instruction Sheet (Pair)	1	1
21			Drive Wheel Assembly, Flat Free Foam, Grey	1	1
			Tire/Black Rim (10" x 3")		
19		1102342	Tire w/ Foam Fill Insert, Grey (10" x 3")	1	1

Motor, Gearbox, and Drive Wheel

- NOTE:
- A - Although motors are interchangeable, they may have internal or external brushes.
 - B - Brake Cover is only serviceable on motors with internal brushes.
 - C - For motors with internal brushes.
 - D - Includes 2 ea. brushes and 1 ea. instruction sheet.
 - E - For motors with external brushes.
 - F - Includes 2 ea. brushes, 2 ea. brush caps, and 1 ea. instruction sheet.
 - G - Not Shown
 - H - Includes items 5 and 6.
 - I - Includes items 8-13.
 - J - Includes items 15-18, & 21.
 - K - Includes item 1-3 and 7-13.
 - L - Before 4/6/09.
 - M - After 4/5/09.
 - N - Part number identified on the Motor and Gearbox Assembly label is 1162492. Order 1163475 when replacing a Motor and Gearbox Assembly so that Release Lever and hardware is included also.
 - O - Part number identified on the Motor and Gearbox Assembly label is 1162493. Order 1163476 when replacing a Motor and Gearbox Assembly so that Release Lever and hardware is included also.
 - P - Part #1105042 Drive Wheel Assembly will already include the Pneumatic Tire and Inner Tube. Part #1105042 is sold in kit assembly part #1102338 only.
 - Q - Part #1105043 Drive Wheel Assembly will already include the Tire w/ Foam Fill Insert.