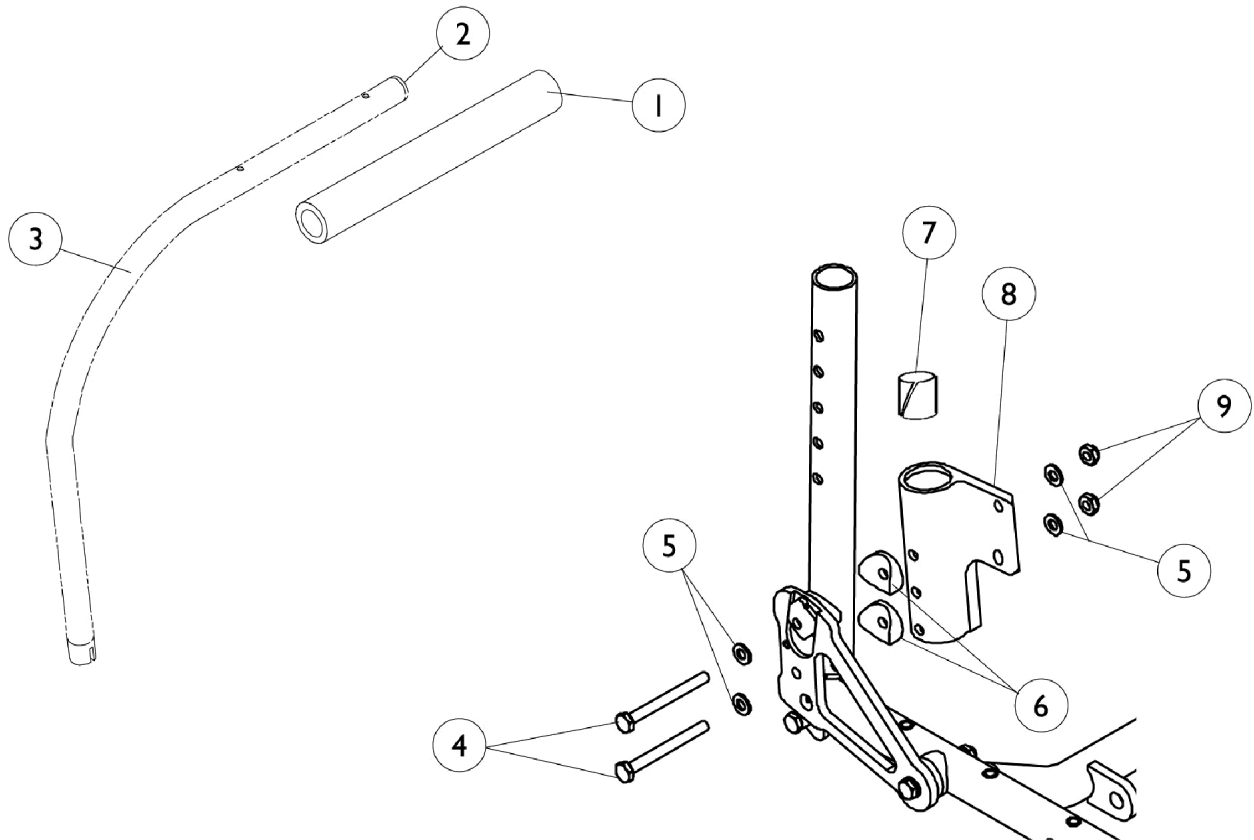


Half Arms and Hardware



Half Arms and Hardware

| Item Number | Note | Part Number | Description | Quantity Per | |
|-------------|------|-------------|-----------------------------------------|--------------|----------|
| | | | | Package | Assembly |
| 1 | | 1032244 | Grip, Foam Hand (9" L) | 1 | 1 |
| 2 | | 1056328 | Plug Button, Black (1") | 1 | 1 |
| 3 | | 1093828 | Half Arm Tube - Right | 1 | 1 |
| 3 | | 1093829-NLA | NLA - Half Arm Tube - Left | 1 | 1 |
| 4 | | 1055351-NLA | NLA - Screw, Hex Head (1/4-28 x 2-1/2") | 1 | 2 |
| 5 | | 1026907 | Washer (1/4 x 1/2 x 1/16") | 1 | 2 |
| 6 | | 40157X020 | Spacer, Coved (1/4 x 1 x 9/16") | 1 | 2 |
| 7 | | 1018687 | Sleeve, Bearing | 1 | 1 |
| 8 | A | 1097056-NLA | NLA - Socket, Half Arm - Right | 1 | 1 |
| 8 | A | 1097057-NLA | NLA - Socket, Half Arm - Left | 1 | 1 |
| 9 | | 1025765 | Locknut (1/4-28) | 1 | 3 |

NOTE: A - Includes Item 2.