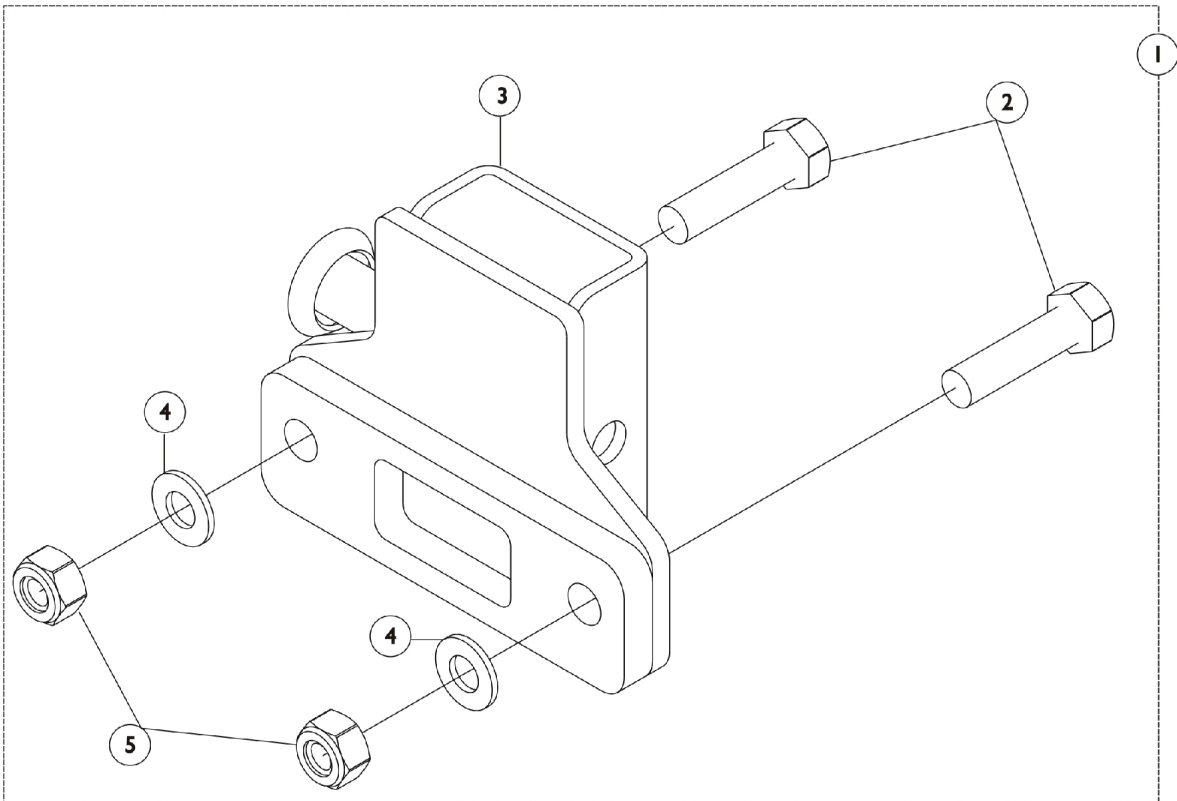


Bariatric Bed Rails - BAR6640IVC



Item Number	Note	Part Number	Description	Quantity Per	
				Package	Assembly
1		1128330	Kit, Adjustable Lock	1	1
2			NLA - Screw, Hex Head (5/16-18 x 1-1/4")	1	2
3			Bracket, Adjustable Locking	1	1
4			NLA - Washer, Steel (5/16 x 5/8 x 1/16")	1	2
5			Nut, Hex Lock (5/16-18)	1	2