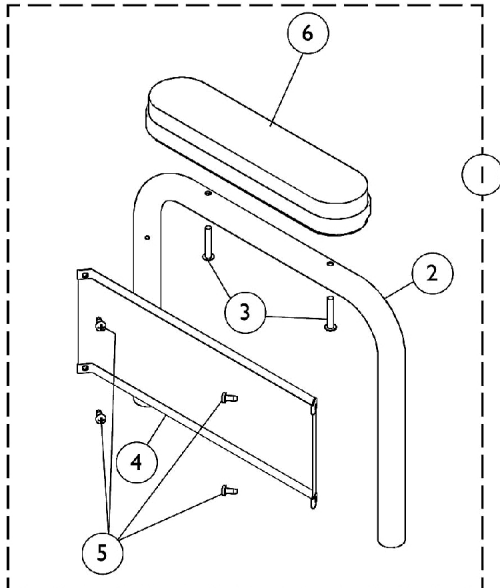
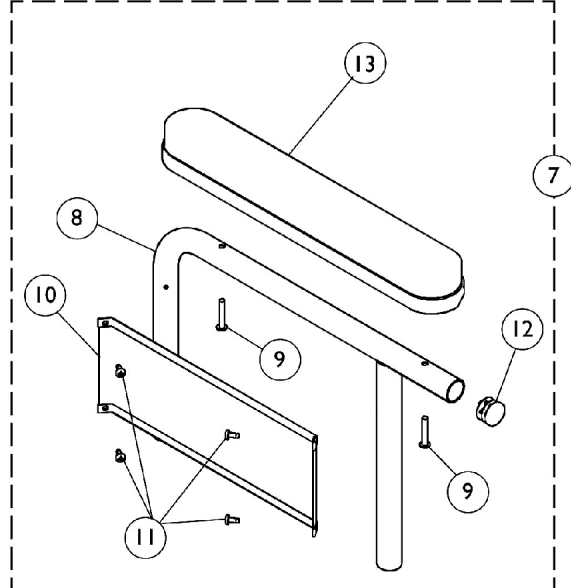


# Fixed Height Arms

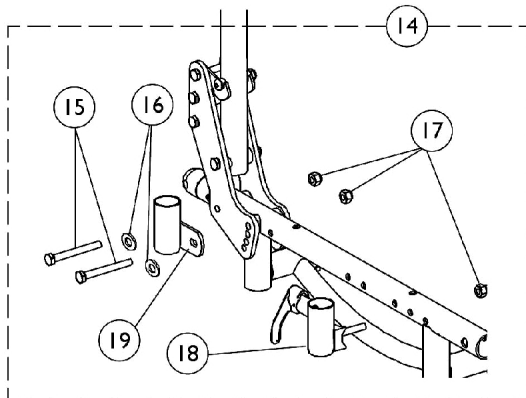


**Desk Length Arm with Arm Pad**

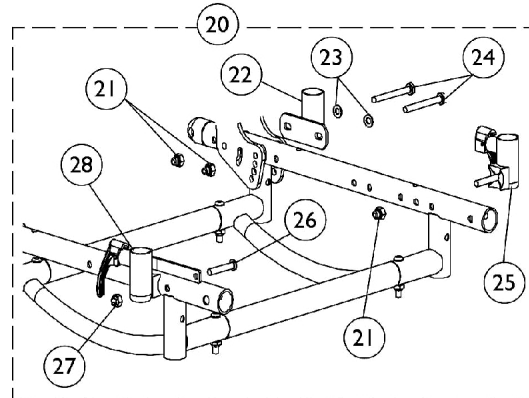


**Full Length Arm with Arm Pad**

## Arm Attaching Hardware



**All chairs without  
Hand Operated Hublock Wheel Locks**



**Chairs with Hand Operated  
Hublock Wheel Locks**

## Fixed Height Arms

Item Number	Note	Part Number	Description	Quantity Per	
				Package	Assembly
1	A,B	8881102858-NL A	NLA - Fixed Height Desk Length Arm Assembly - Right	1	1
2			NLA - Tube, Arm, Desk Length, Black - Right/Left	1	1
3			Package, Screw Phillips Pan Head (#10-32 x 1-1/8")	2	1
4			NLA - Guard, Clothing, Desk Length	1	1
5			Screw, Phillips Pan Head Tap (#8-32 x 3/8")	1	4
6			Pad, Arm, Desk Length	1	1
6	A	8881053578	Kit, Arm Pad w/ Screws, Desk Length (9" L x 2" W) (Pair)	2	1
1	A,B	8881102859-NL A	NLA - Fixed Height Desk Length Arm Assembly - Left	1	1
2			NLA - Tube, Arm, Desk Length, Black - Right/Left	1	1
3			Package, Screw Phillips Pan Head (#10-32 x 1-1/8")	2	1
4			NLA - Guard, Clothing, Desk Length	1	1
5			Screw, Phillips Pan Head Tap (#8-32 x 3/8")	1	4
6			NLA - Arm Pad, Desk Length w/ Law Label	1	1
6	A	8881053578	Kit, Arm Pad w/ Screws, Desk Length (9" L x 2" W) (Pair)	2	1
7	A,C	8881102864-NL A	NLA - Fixed Height Full Length Arm Assembly - Right	1	1
8			NLA - Arm Base, Full Length, Black - Right	1	1
9			Screw, Phillips Pan Head (#10-32 x 1-1/8")	1	2
10			NLA - Guard, Clothing, Desk Length	1	1
11			Screw, Phillips Pan Head Tap (#8-32 x 3/8")	1	4
12			Plug Button, Black (7/8")	1	1
13			NLA - Pad, Arm, Full Length w/ Law Label	1	1
13	A	8881053577	Kit, Arm Pad w/ Screws, Full Length (14" L x 2" W) (Pair)	2	1
7	A,C	8881102865-NL A	NLA - Fixed Height Full Length Arm Assembly - Left	1	1
8			NLA - Arm Base, Full Length, Black - Left	1	1
9			Screw, Phillips Pan Head (#10-32 x 1-1/8")	1	2
10			NLA - Guard, Clothing, Desk Length	1	1
11			Screw, Phillips Pan Head Tap (#8-32 x 3/8")	1	4
12			Plug Button, Black (7/8")	1	1
13			NLA - Pad, Arm, Full Length w/ Law Label	1	1
13	A	8881053577	Kit, Arm Pad w/ Screws, Full Length (14" L x 2" W) (Pair)	2	1
14	D	1133487	Kit, Arm Attaching Hardware	1	1
15			Screw, Hex Head (1/4-28 x 2-1/4")	1	4
16			Washer (1/4 x 1/2 x 1/16")	1	4
17			Nut, Hex with Nylon Cap (1/4-20)	1	6
18			Socket, Arm, Front - Right	1	1
18			Socket, Arm, Front - Left	1	1
19			Socket, Arm, Rear - Right/Left	1	2
20	E	1133488	Kit, Arm Attaching Hardware for Hand Oper. Hublock	1	1
21			Nut, Hex with Nylon Cap (1/4-20)	1	6
22			Socket, Arm, Rear - Right/Left	1	2

## Fixed Height Arms

Item Number	Note	Part Number	Description	Quantity Per	
				Package	Assembly
23			Washer (1/4 x 1/2 x 1/16")	1	4
24			Screw, Hex Head (1/4-28 x 2-1/4")	1	4
25			Socket, Arm, Front - Left	1	1
26			Screw, Socket Button Head (1/4-28 x 1-1/2")	1	1
27			Locknut (1/4-28)	1	1
28			Arm Socket Assembly, Hublock - Right	1	1
NOTE: A - Specify upholstery color U67 Black when ordering B - Includes items 2-6 C - Includes items 8-13 D - Includes items 15-19. Contains enough hardware for both arms E - Includes items 21-28. Contains enough hardware for both arms					