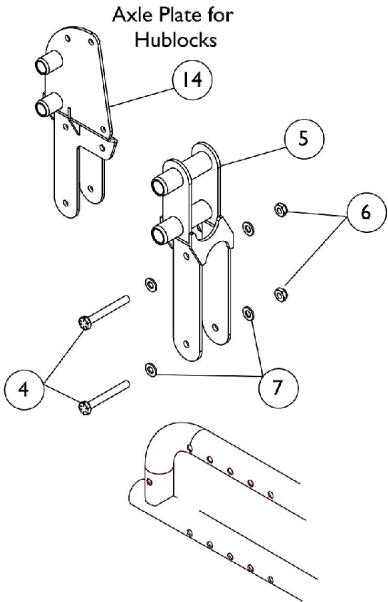
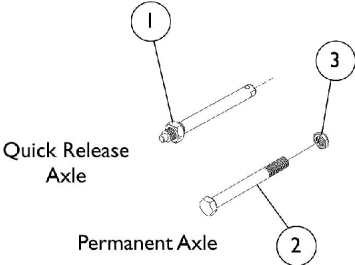
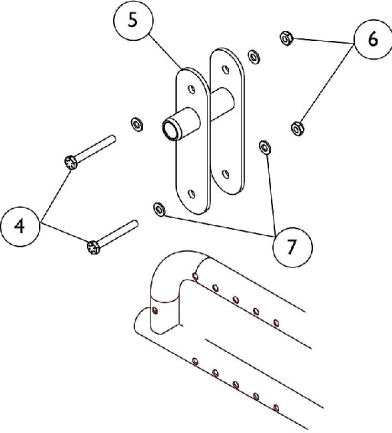


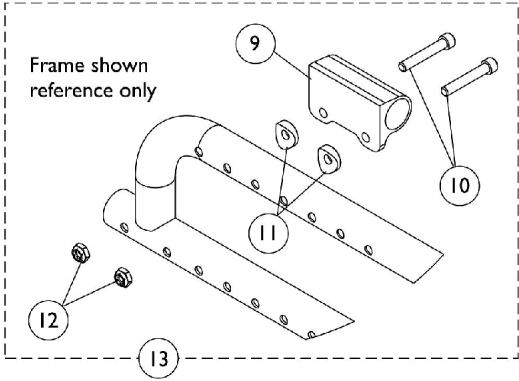
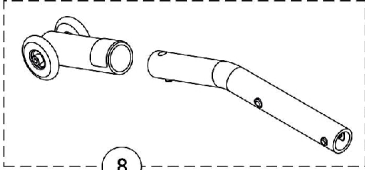
# Axles, Axle Hardware, and Anti-Tippers



Chairs with 20", 22", or 24" Wheels



Chairs with 12" Wheels



## Axles, Axle Hardware, and Anti-Tippers

Item Number	Note	Part Number	Description	Quantity Per	
				Package	Assembly
1		1040361	Axle, Quick Release w/ Locknut (1/2" x 5")	1	1
2		1049227	Screw, Hex Head (1/2-20 x 5-1/4")	1	1
3		1025737	Locknut (1/2-20)	1	1
4		1114099	NLA - Screw, Hex Head (1/4-28 x 2")	1	2
5	D,E	1121625	Plate, Rear Axle (Offset)	1	1
5	F	1124538	Plate, Rear Axle	1	1
6		1025765	Locknut (1/4-28)	1	2
7		1026907	Washer (1/4 x 1/2 x 1/16")	1	4
8	A,H	1058884	Anti-Tipper, Rear	1	1
8	B,H	1050641	Anti-Tipper (Pair)	2	1
9		1112075-NLA	NLA - Bracket, Anti-Tipper, Black	1	1
10		1059251-NLA	NLA - Screw, Socket Head (1/4-28 x 1-1/2")	1	2
11		1026099	Spacer, Coved (1/4 x 11/16 x 1/2")	1	2
12		1025765	Locknut (1/4-28)	1	2
13	C	1121599	Hardware, Anti-Tip Mounting	1	1
14	G	1132383	Plate, Rear Axle Hublock - Right	1	1
14	G	1132384	Plate, Rear Axle Hublock - Left	1	1

NOTE: A - Use with 12", 20", & 22" Wheels  
 B - Use with 24" Wheels  
 C - Includes items 9-12  
 D - Use with 20", 22", & 24" Wheels (SPT chairs)  
 E - Due to design change, Offset Rear Axle Plate (1121625) must be replaced in pairs on chairs built Before 2/1/04. Previous Axle Plate is NLA.  
 F - Use with 12" Wheels only (Limited chairs)  
 G - Use with 20", 22", or 24" Wheels on chairs with Hublock Wheel Locks.  
 H - These would be considered "Front Anti-Tippers" when a wheelchair is in the Front Wheel Drive (FWDS) configuration.