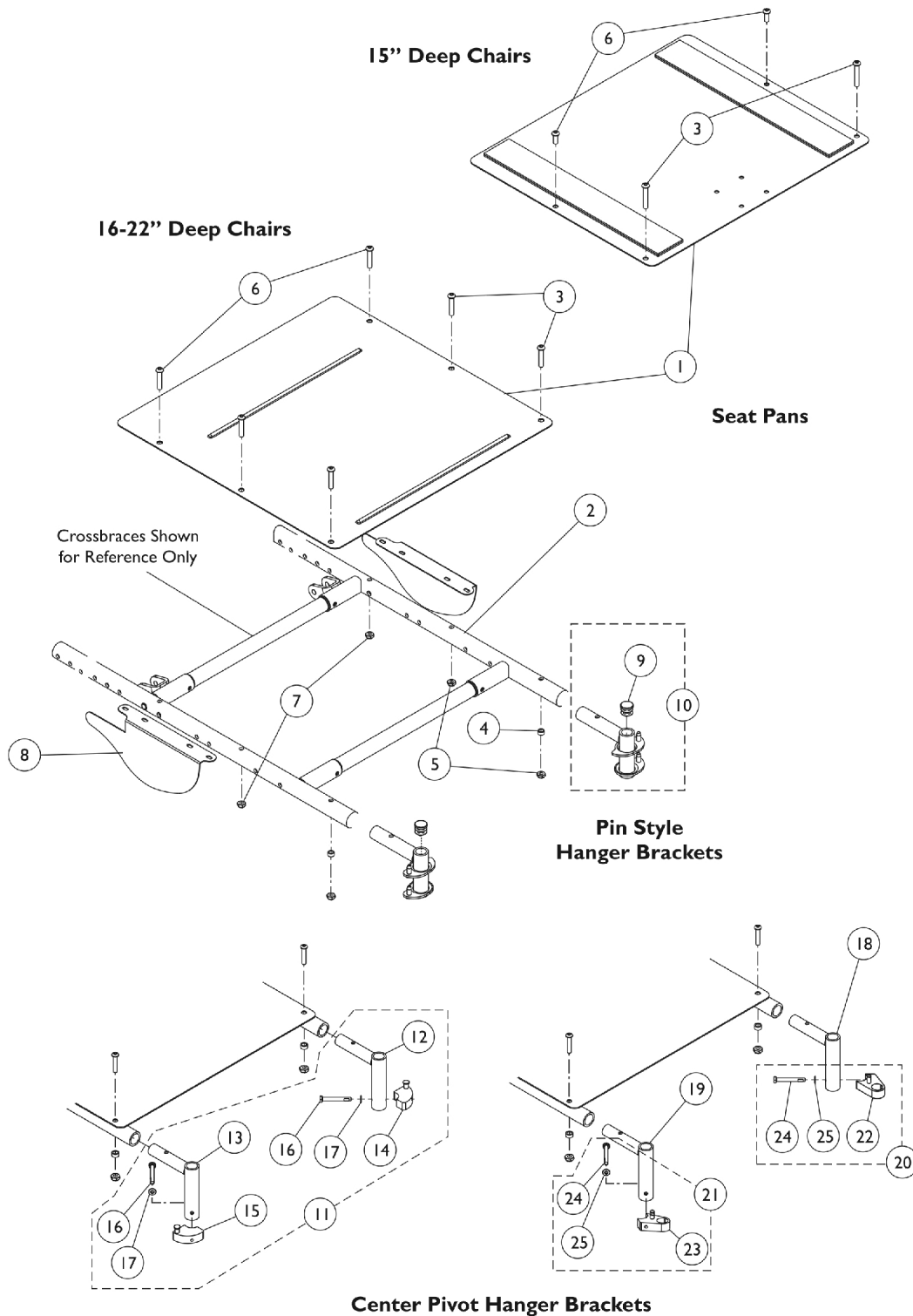


# Seat Pan, Seat Rails, Shrouds, and Hanger Brackets



## Seat Pan, Seat Rails, Shrouds, and Hanger Brackets

Item Number	Note	Part Number	Description	Quantity Per	
				Package	Assembly
1		See Chart	#1 Seat Pans (14-18" Wide)	1	1
1		See Chart	#1 Seat Pans (19-22" Wide)	1	1
2		See Chart	#2 Seat Rails	1	1
3	A	1083099	Screw, Socket Button Head (1/4-28 x 1-1/2")	1	4
4		1047449-NLA	NLA - Spacer (1/4 x 3/8 x 3/16")	1	2
5	A	1025765	Locknut (1/4-28)	1	4
6	B	1083099	Screw, Socket Button Head (1/4-28 x 1-1/2")	1	2
6	C	1055304	Screw, Socket Button Head (1/4-28 x 5/8")	1	2
7	D	1025765	Locknut (1/4-28)	1	2
8		1121609	Shroud, Seat Rail - Right (Adjustable Height Arms)	1	1
8		1121610	Shroud, Seat Rail - Left (Adjustable Height Arms)	1	1
8		1121616-NLA	NLA - Shroud, Seat Rail - Right (T-Arms)	1	1
8		1121617-NLA	NLA - Shroud, Seat Rail - Left (T-Arms)	1	1
9		1027097	Plug Button, Black (3/4")	1	2
10	E	1121605	Hanger, Front Rigging, Black - Right	1	1
10	E	1121606	Hanger, Front Rigging, Black - Left	1	1
11	F	1125242	Front Rigging Hanger Assembly w/ Sector Block, Center Pivot, Black (Pair)	1	1
12			Hanger, Front Rigging, Center Pivot, Black - Left	1	1
13			Hanger, Front Rigging, Center Pivot, Black - Right	1	1
14			NLA - Block, Sector - Left	1	1
15			NLA - Block, Sector - Right	1	1
16			Screw, Hex Head w/ Patch (1/4-20 x 2")	1	2
17			Washer (1/4 x 1/2 x 1/16")	1	2
18		1125241	Hanger, Front Rigging, Center Pivot, Black - Left	1	1
19		1125240	Hanger, Front Rigging, Center Pivot, Black - Right	1	1
20	G	1128281	Kit, Sector Block - Left	1	1
22			Block, Sector - Left	1	1
24			Screw, Hex Head (1/4-20 x 1-5/8")	1	1
25			Washer (1/4 x 1/2 x 1/16")	1	1
21	G	1128280	Kit, Sector Block - Right	1	1
23			Block, Sector - Right	1	1
24			Screw, Hex Head (1/4-20 x 1-5/8")	1	1
25			Washer (1/4 x 1/2 x 1/16")	1	1
	G,H	1142975	Kit, Sector Block Hardware, Lift Off (Pair)	1	1
			Screw, Socket Head (1/4-20 x 1-3/4")	1	2
			NLA - Washer, Steel (1/4 x 1/2 x 3/64")	1	2
			Block, Sector - Right	1	1
			Block, Sector - Left	1	1
	J	1054571	Kit, Sector Block - Right	1	1
	K	1054572	Kit, Sector Block - Left	1	1

# Seat Pan, Seat Rails, Shrouds, and Hanger Brackets

NOTE: A - 2 ea. required for 15" Deep chairs. 4 ea. required for 16-22" Deep chairs.  
 B - Chairs built Before 4/1/04  
 C - Chairs built After 3/31/04  
 D - Required only on chairs built Before 4/1/04  
 E - Hanger Bracket includes Plug Button (item 9)  
 F - Includes items 12 thru 17.  
 G - For use on Lift Off Style Front Riggings.  
 H - Not shown.  
 J - Not shown. Kit includes (Item 14) Right Sector Block, (Item 16) Screw, and (Item 17) Washer  
 K - Not shown. Kit includes (Item 15) Left Sector Block, (Item 16) Screw, and (Item 17) Washer

## #1 Seat Pans (14-18" Wide)

(Includes Hook & Loop Fasteners)

Chair Depth	14" Wide	15" Wide	16" Wide	17" Wide	18" Wide
15"	1054850-NLA	1054851-NLA	1049082-NLA	1049090-NLA	1049098-NLA
16"	1054852-NLA	1054853-NLA	1049083	1049091-NLA	1049099
17"	1054854-NLA	1054855-NLA	1049084-NLA	1049092-NLA	1049100-NLA
18"	1054856-NLA	1054857-NLA	1049085	1049093-NLA	1049101
19"	1054858	1054859-NLA	1049086	1049094	1049102
20"	1054860-NLA	1054861-NLA	1049087-NLA	1049095-NLA	1049103
21"	1054862-NLA	1054863-NLA	1049088-NLA	1049096-NLA	1049104-NLA
22"	1054864	1054865-NLA	1049089-NLA	1049097-NLA	1049105-NLA

## #1 Seat Pans (19-22" Wide)

(Includes Hook & Loop Fasteners)

Chair Depth	19" Wide	20" Wide	21" Wide	22" Wide
15"	1049106-NLA	1049114-NLA	1049122-NLA	1049130-NLA
16"	1049107-NLA	1049115-NLA	1049123-NLA	1049131
17"	1049108-NLA	1049116-NLA	1049124-NLA	1049132-NLA
18"	1049109	1049117	1049125-NLA	1049133
19"	1049110	1049118-NLA	1049126-NLA	1049134-NLA
20"	1049111	1049119	1049127-NLA	1049135
21"	1049112	1049120	1049128-NLA	1049136-NLA
22"	1049113-NLA	1049121	1049129-NLA	1049137-NLA

# Seat Pan, Seat Rails, Shrouds, and Hanger Brackets

## #2 Seat Rails

When ordering Seat Rails for chairs built Before 10/10/05 a current Arm Attaching Hardware Kit (p/n 1133485) must be ordered as well. See Arm Attaching Hardware category.

Seat Depth	Right	Left
15-18"	8881121575 See Note(s) C, B, A	8881121576 See Note(s) C, A, B
18-20"	8881121558 See Note(s) B, A	8881121559 See Note(s) A, B
20-22"	8881121577 See Note(s) A, B	8881121578 See Note(s) A, B
NOTE: A - On chairs built After 3/31/04, Seat Rails no longer require Locknut (item 7). A rivnut inserted in the rail replaced the locknut. When replacing a seat rail on chairs Before 4/1/04 also order 1 ea. p/n 1055304 (Screw). B - Specify Frame Finish when ordering C - If chair was built before 9/20/07, Seat Rails (15-18" deep) must be replaced in pairs of (Rt./Lt.).		