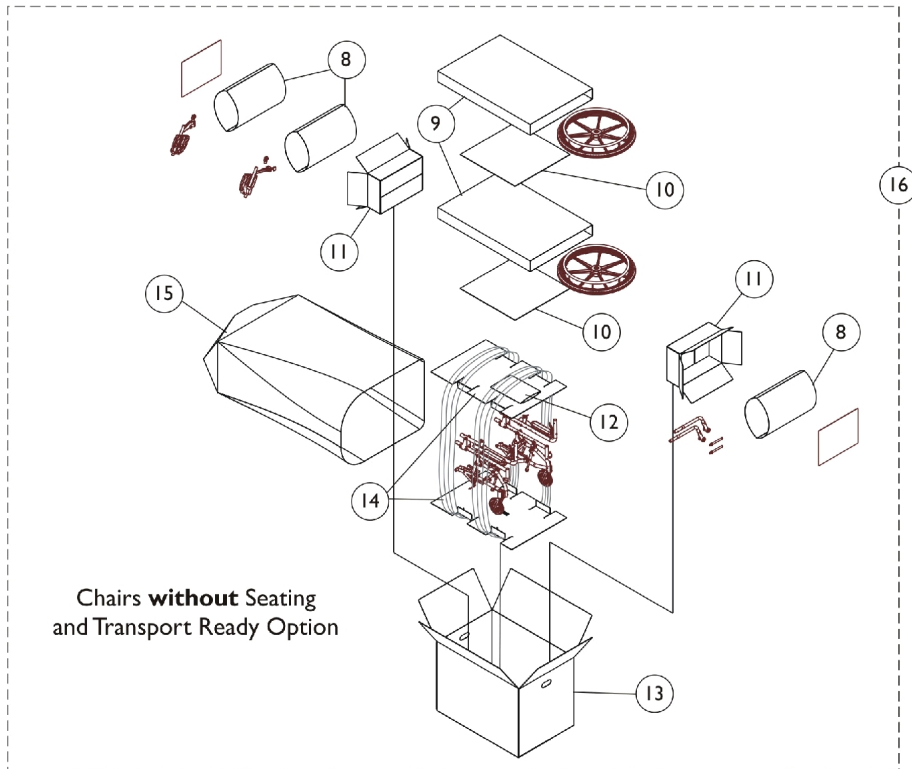
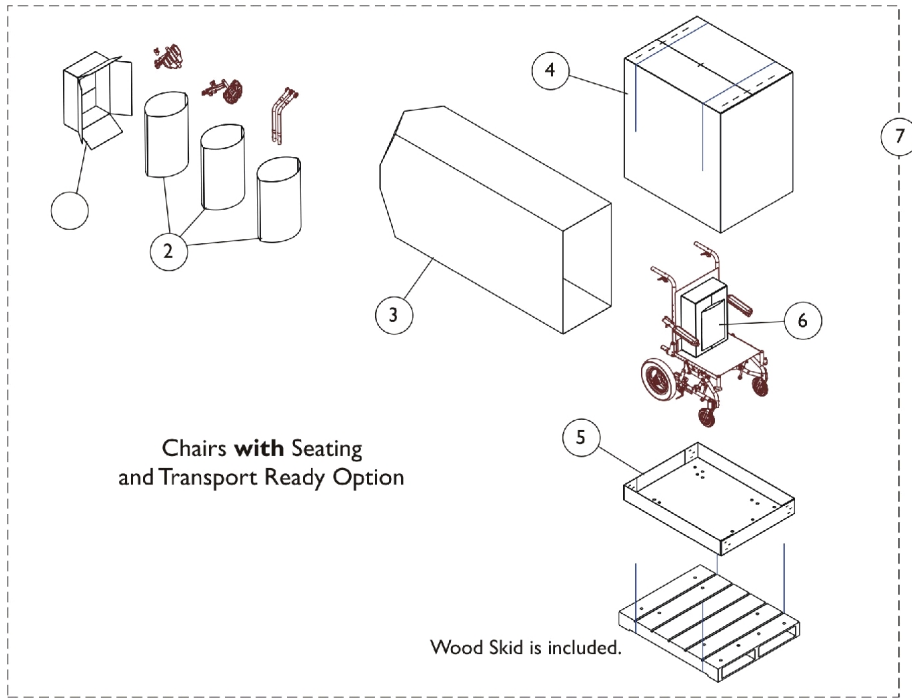


Packaging, Literature, and Decals



Packaging, Literature, and Decals

Item Number	Note	Part Number	Description	Quantity Per	
				Package	Assembly
7	A	1118585-NLA	NLA - Kit, Packaging Spree XT	1	1
1			NLA - Carton, Front Riggings	1	1
2			NLA - Bag, Poly (26" L x 15" W)	1	3
3			Bag, Poly (72" L x 35" W x 19" D)	1	1
4			Carton, Cover	1	1
5			Carton, Tray	1	1
			NLA - Pallet, Wood	1	1
6			NLA - Package, Literature	1	1
16	B	1118582	NLA - Kit, Packaging Spree XT	1	1
8			NLA - Bag, Poly (26" L x 15" W)	1	3
9			NLA - Bag, Poly	1	2
10			NLA - Insert, Carton	1	2
11			NLA - Carton, Front Riggings	1	2
12			NLA - Package, Literature	1	1
13			NLA - Carton, Shipper	1	1
14			NLA - Insert, Bottom Pad	1	2
15			Bag, Poly (72" L x 35" W x 19" D)	1	1
	C	1118596-NLA	NLA - Kit, Instruction Cards with Attaching Hardware, Transport Ready Option	1	1
	C,D	1130215-NLA	NLA - Service Manual, Hublock	1	1
	C	1095497	Decal, Invacare Logo (1.6)	1	1
	C	1122110-NLA	NLA - Decal, Model - Spree XT	1	1
	C	1125013-NLA	NLA - Decal, Model - Spree XT Limited	1	1
	C	1083199-NLA	NLA - Label, Hook Tie-Down	1	1
<p>NOTE: A - For chairs with Seating and Transport Ready Option. Includes items 1-6. B - For chairs without Seating and Transport Ready Option. Includes items 8-15. C - Not Shown D - Item is no longer available from the Invacare Service Parts Department. Refer to the Invacare Website under "Product Literature Search". Enter the part number in the "Keywords" field and download a free PDF version copy.</p>					
When adjusting or replacing parts please refer to your Owner's Manual for assistance.					