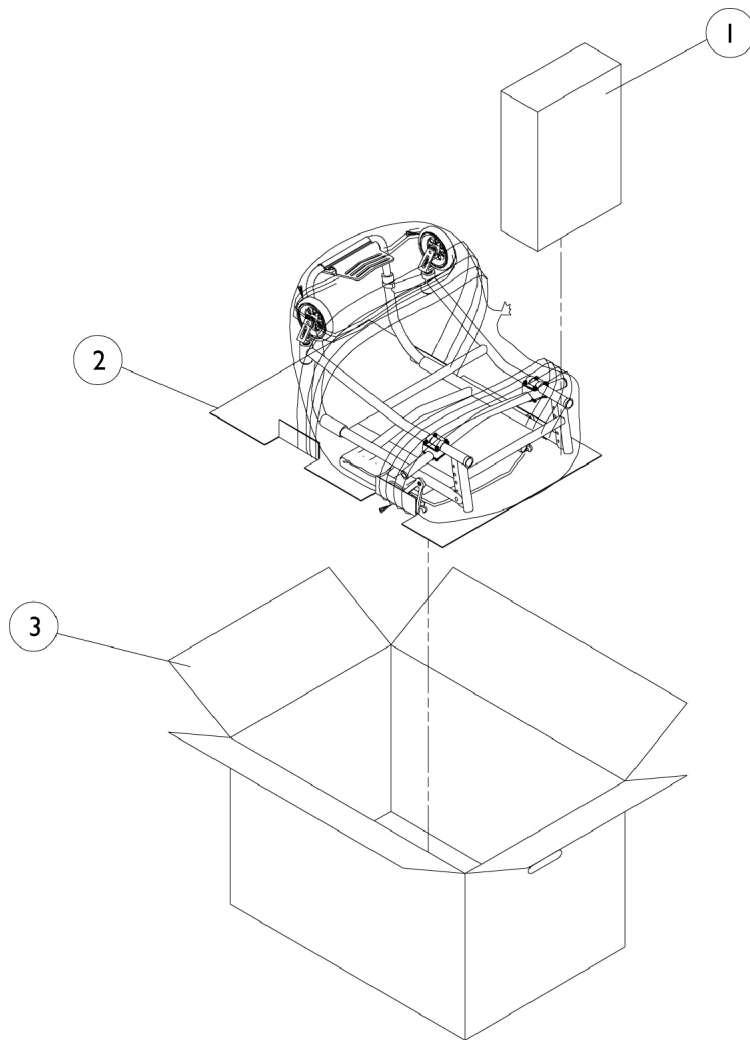


Packaging, Literature, and Decals



Packaging, Literature, and Decals

Item Number	Note	Part Number	Description	Quantity Per	
				Package	Assembly
1		40131X011-NLA	NLA - Carton, Front Riggings	1	1
2		1049222-NLA	NLA - Insert, Bottom Pad	1	1
3		1045583-NLA	NLA - Carton, Shipper	1	1
	A	See Chart	Decals	1	1
	A,B	1092293-NLA	NLA - Owner's Manual	1	1
	A	1095497	Decal, Invacare Logo (1.6)	1	1
	A	See Chart	Decals	1	1

NOTE: A - Not Shown
 B - Item is no longer available from the Invacare Service Parts Department. Refer to the Invacare Website under "Product Literature Search". Enter the part number in the "Keywords" field and download a free PDF version copy.

Note: When adjusting or replacing parts please refer to your Owner's Manual for assistance.

Decals

Decal Text Color	A-6S	F-6S	A-6	F-6
Black	1097357-NLA	1097359-NLA	1097361-NLA	1097363-NLA
White	1097356-NLA	1097358-NLA	1097360-NLA	1097362-NLA