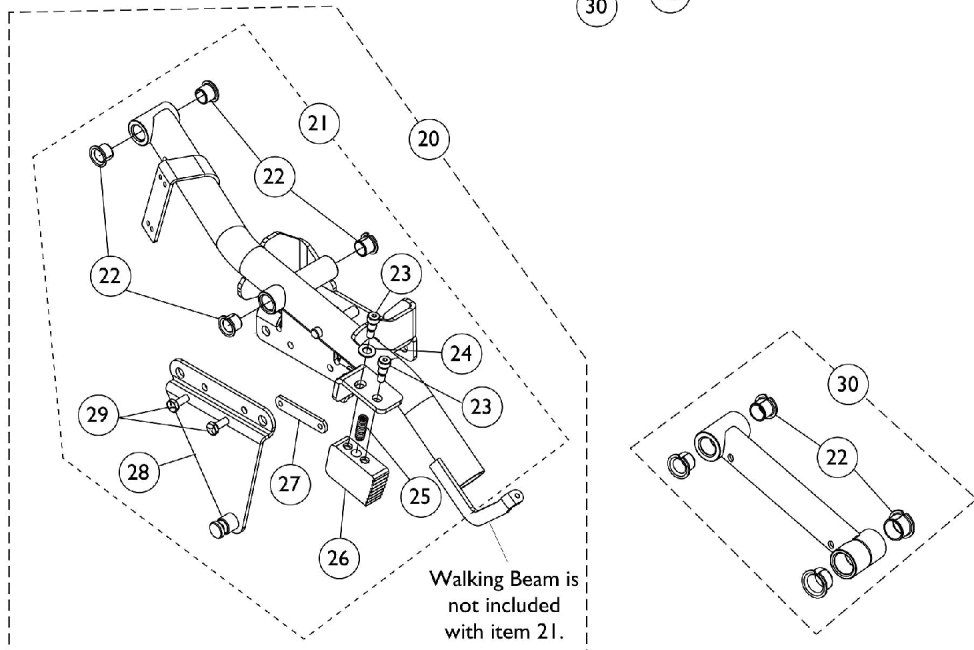
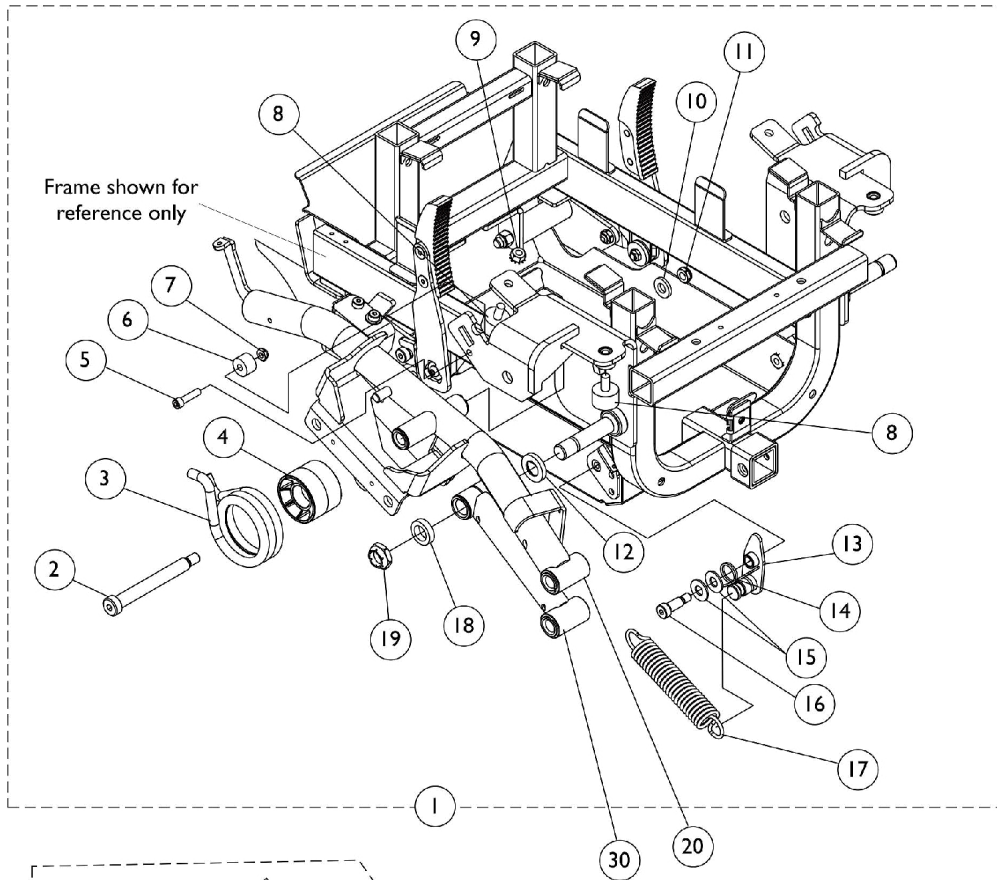


SureStep Walking Beams and Hardware

After 10/03/05



SureStep Walking Beams and Hardware

After 10/03/05

Item Number	Note	Part Number	Description	Quantity Per	
				Package	Assembly
1	A	1136940	Kit, Walking Beam Mounting Hardware - Right	1	1
2			NLA - Screw, Socket Head Shoulder (1/2 x 3-3/4", 3/8-16)	1	1
3			Spring, Torsion - Right	1	1
4			Spacer, Spring, Black	1	1
5			Screw, Allen Head (1/4-20 x 1")	1	1
6			Spacer (1/4 x 3/4 x 1/2")	1	1
7			Locknut (1/4-20)	1	1
8			NLA - Bumper, Rubber (1" Diameter x 5/8")	1	2
9			NLA - Nut, Keps (5/16-18)	1	1
10			NLA - Washer, Steel (7/16 x 13/16 x 1/8")	1	1
11			Locknut, Low Profile (3/8-16)	1	1
12			Spacer, Stem (5/8 x 1-1/8 x 3/16")	1	1
13			Plate, Pivot	1	1
14			Spring, Torsion - Right	1	1
15			NLA - Washer, Steel (3/8 x 7/8 x 1/16")	1	2
16			NLA - Screw, Shoulder Hex Socket Head (3/8 x 3/4", 5/16-18)	1	1
17	A	1136941	Spring, Extension (1 x 4-1/2" L)	1	1
18			NLA - Spacer, Bushing	1	1
19			Locknut (5/8-18)	1	1
1			Kit, Walking Beam Mounting Hardware - Left	1	1
2			NLA - Screw, Socket Head Shoulder (1/2 x 3-3/4", 3/8-16)	1	1
3			Spring, Torsion - Left	1	1
4			Spacer, Spring, Black	1	1
5			Screw, Allen Head (1/4-20 x 1")	1	1
6			Spacer (1/4 x 3/4 x 1/2")	1	1
7			Locknut (1/4-20)	1	1
8			NLA - Bumper, Rubber (1" Diameter x 5/8")	1	2
9			NLA - Nut, Keps (5/16-18)	1	1
10			NLA - Washer, Steel (7/16 x 13/16 x 1/8")	1	1
11			Locknut, Low Profile (3/8-16)	1	1
12			Spacer, Stem (5/8 x 1-1/8 x 3/16")	1	1
13			Plate, Pivot	1	1
14	Spring, Torsion - Left	1	1		
15	NLA - Washer, Steel (3/8 x 7/8 x 1/16")	1	2		
16	NLA - Screw, Shoulder Hex Socket Head (3/8 x 3/4", 5/16-18)	1	1		
17	Spring, Extension (1 x 4-1/2" L)	1	1		
18	NLA - Spacer, Bushing	1	1		
19	Locknut (5/8-18)	1	1		
20	B	1123354	Beam, Walking with Hardware - Right	1	1
20	B	1123355	Beam, Walking with Hardware - Left	1	1
21	C	1133690	Kit, Walking Beam Hardware - Right/Left	1	1
22			Bearing, Flange (1/2 x 13/16 x 1/2")	1	4

SureStep Walking Beams and Hardware

After 10/03/05

Item Number	Note	Part Number	Description	Quantity Per	
				Package	Assembly
23			NLA - Screw, Shoulder Hex Socket Head (5/16" x 3/8", 1/4-20)	1	2
24			Washer, Flat (5/16 x 5/8 x 1/16")	1	1
25			Spring, Compression (11/32 x 1 x 1/32")	1	1
26			Rack, Motor	1	1
27			Nut, Weld Spacing (1/4-20 x 2")	1	1
28			Bracket, Spring - Right	1	1
28			Bracket, Spring - Left	1	1
29			Screw, Hex Head (1/4-20 x 5/8")	1	2
30	D	1112568	0	1	1
NOTE: A - Includes items 2-19 B - Includes Walking Beam plus item 21 C - Includes items 22-29 D - Includes Pivot Tube and item 22					