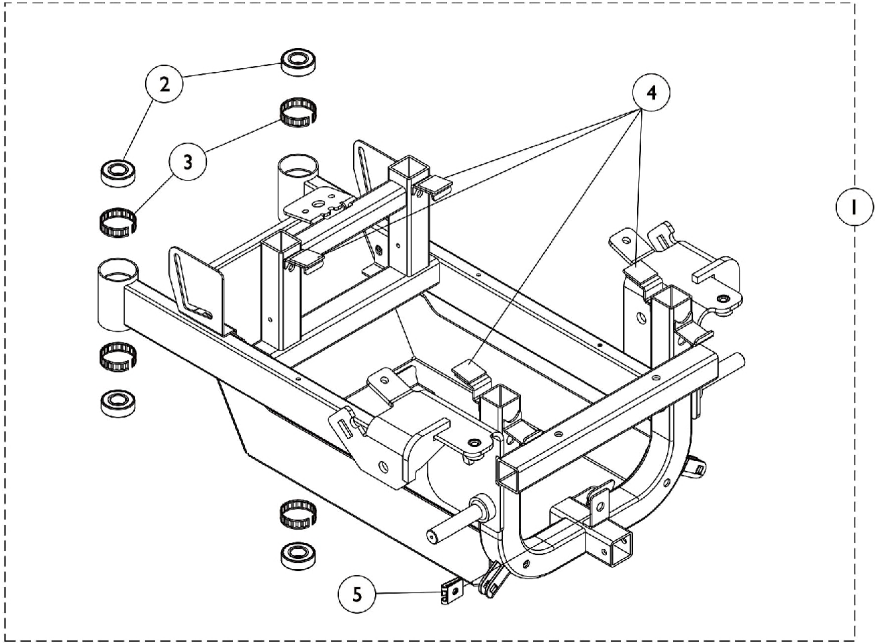
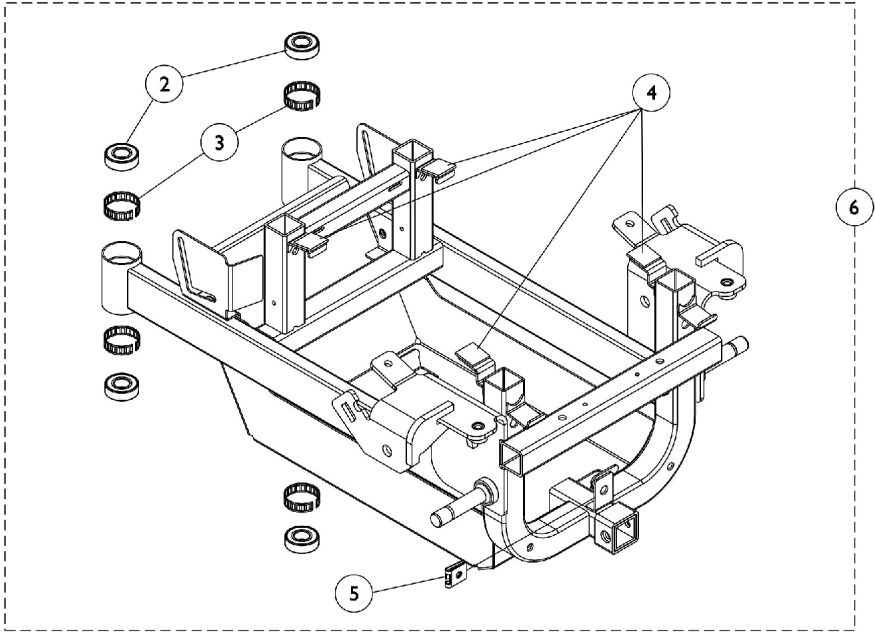


# Base Frame, Swing Arms and Stability Lock Hardware Before 10/04/05



Chairs built **Before 12/19/03**



Chairs built **12/19/03 - 10/03/05**

## Base Frame, Swing Arms and Stability Lock Hardware Before 10/04/05

Item Number	Note	Part Number	Description	Quantity Per	
				Package	Assembly
1	A	1110706-NLA	NLA - Base Frame Assembly	1	1
2		40117X006	Bearing (5/8")	1	4
3		1110717	Ring, Tolerance	1	4
4		1070504-NLA	NLA - Fastener, Hook with Adhesive Back (1" W x 1" L)	1	4
5		1013497-NLA	NLA - Fastener, Turn, Clip-On (1/4")	1	1
6	B,C	1123107-NLA	NLA - Base Frame Assembly	1	1
<p>NOTE: A - Frame is NLA on chairs built Before 12/19/03. Must order new frame (1123107), rear shroud (see shroud category), battery charger (1123102), and AC charger cord (1121086).            B - Chairs built 12/19/03 - 10/03/05. Includes Frame and items 2-5.            C - Due to design change, Frames ordered for chairs built Before 4/1/04 require screws instead of a strap to attach the Battery Charger. See battery charger category.</p>					