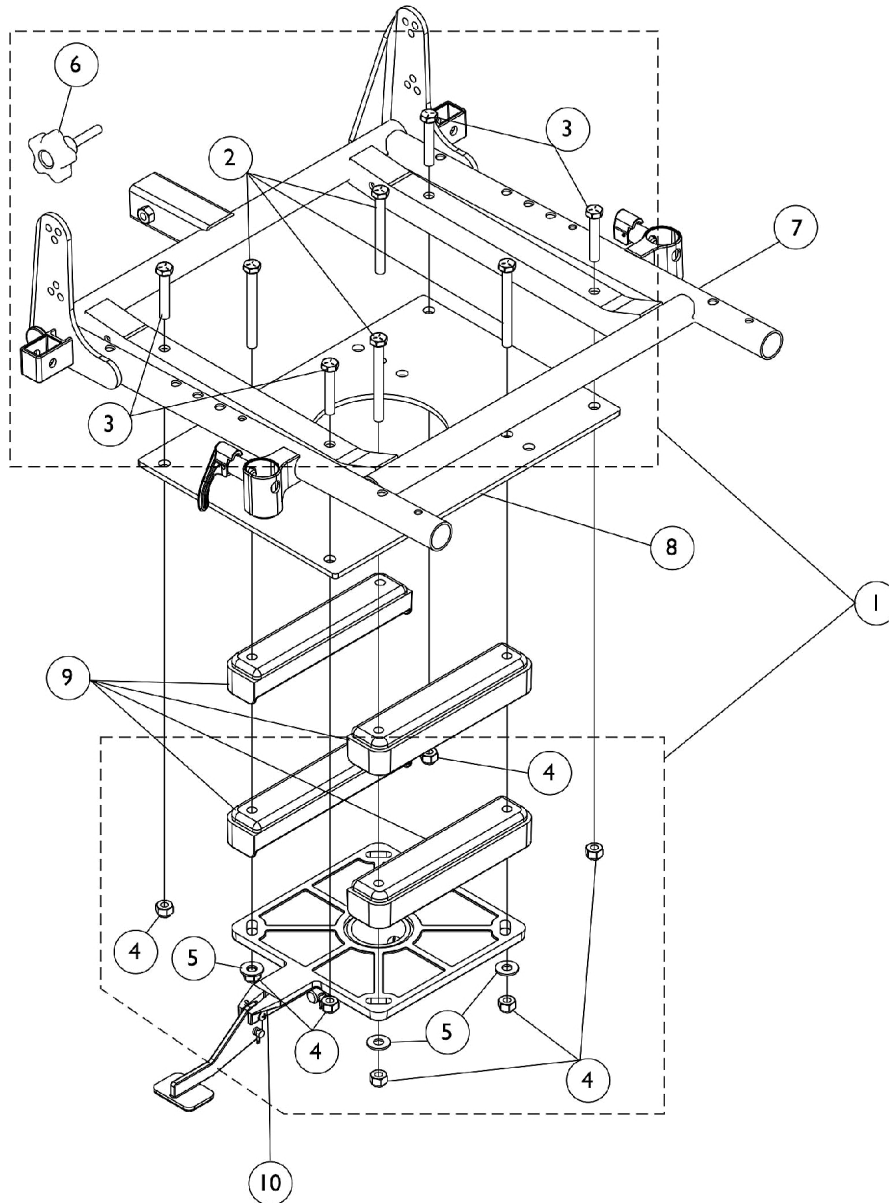


ASBA Seat Frame and Mounting Hardware

M61

As of 7/29/05 (4) Seat Spacers using (item 1) part #1136485 are used on all M61 models shipped.
Note: When ordering a complete ASBA Seat for the M61, the M61SEAT can be used from the configurator.
However, Seat Frame Hardware (item 1) must still be ordered separately depending on the Customer's preference of using 1 set or 2 sets of seat spacers. The Customer can also request that no spacers are being used. All Seat Frame Hardware combinations are provided.



ASBA Seat Frame and Mounting Hardware

M61

As of 7/29/05 (4) Seat Spacers using (item 1) part #1136485 are used on all M61 models shipped.
Note: When ordering a complete ASBA Seat for the M61, the M61SEAT can be used from the configurator.
 However, Seat Frame Hardware (item 1) must still be ordered separately depending on the Customer's preference of using 1 set or 2 sets of seat spacers. The Customer can also request that no spacers are being used. All Seat Frame Hardware combinations are provided.

Item Number	Note	Part Number	Description	Quantity Per	
				Package	Assembly
1	A,B	1136485	Kit, Seat Frame Hardware	1	1
2			NLA - Screw, Hex Head (5/16-18 x 3")	1	4
3			NLA - Screw, Hex Head (5/16-18 x 1-3/4")	1	4
4			Locknut (5/16-18)	1	8
5			Washer, Steel (5/16 x 3/4 x 1/16")	1	4
6			NLA - Knob, Adjustment, Black (5/16-18 x 1-1/2")	1	1
1	A,C	1136492	Kit, Seat Frame Hardware	1	1
2			NLA - Screw, Hex Head (5/16-18 x 2")	1	4
3			NLA - Screw, Hex Head (5/16-18 x 1-3/4")	1	4
4			Locknut (5/16-18)	1	8
5			Washer, Steel (5/16 x 3/4 x 1/16")	1	4
6			NLA - Knob, Adjustment, Black (5/16-18 x 1-1/2")	1	1
1	A,D	1134543	Kit, Seat Frame Hardware	1	1
2			Screw, Hex Head (5/16-18 x 1")	1	4
3			NLA - Screw, Hex Head (5/16-18 x 1-3/4")	1	4
4			Washer, Steel (5/16 x 3/4 x 1/16")	1	4
5			Locknut (5/16-18)	1	8
6			NLA - Knob, Adjustment, Black (5/16-18 x 1-1/2")	1	1
7		See Chart	#7 Seat Frame, ASBA	1	1
8		1134542	Plate, Seat Frame	1	1
9		1134660	Spacer, Seat, Black	1	4
10		1116413-NLA	NLA - Pivot, Seat	1	1

NOTE: A - Includes items 2-6
 B - This kit is used on chairs that have 2 sets of seat spacers. This will achieve 19" Seat To Floor plus 5" of lift elevation.
 C - This kit is used on chairs that have 1 set of seat spacers. This will achieve 18" Seat To Floor plus 5" of lift elevation.
 D - This kit is used on chairs that do not have any seat spacers. This will achieve 17" Seat To Floor plus 5" of lift elevation.

#7 Seat Frame, ASBA

Chair Depth	16" Wide	17" Wide	18" Wide	19" Wide	20" Wide
16-17" Deep	1132433-NLA	1132434-NLA	1132435-NLA	1132436-NLA	1132437-NLA
18-19" Deep	1132442-NLA	1132443-NLA	1132444-NLA	1132445-NLA	1132446-NLA
20" Deep	1132451-NLA	1132452-NLA	1132453-NLA	1132454-NLA	1132455-NLA