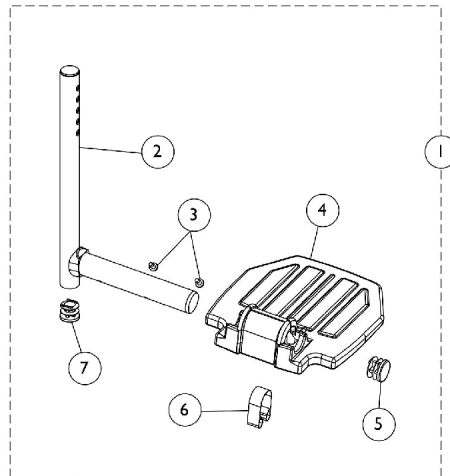
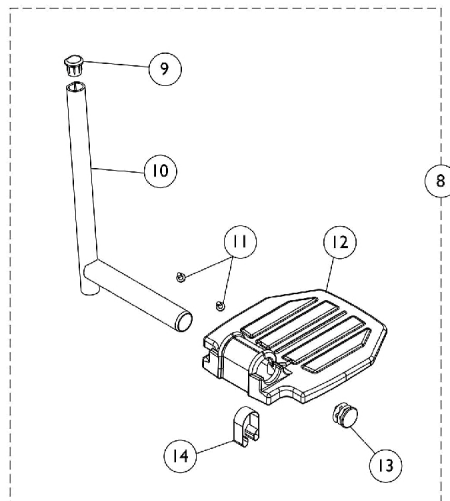


# Footplate and Pivot Tube Assemblies - A1562 Aluminum



**Used on all front riggings except  
Wedge Style AT5044 Elevating Legrests**



**Used on Wedge Style AT5044 Elevating Legrests**

# Footplate and Pivot Tube Assemblies - A1562 Aluminum

Item Number	Note	Part Number	Description	Quantity Per		
				Package	Assembly	
1	A	See Chart	#1 Aluminum Footplate w/ Pivot Tube Assembly	1	1	
2		1120330	Pivot/Slide Tube w/ Plug, Black	1	1	
3		1025729	Screw, Phillips Pan Head Tap (#8-32 x 3/8")	1	2	
4		44200X032-NLA	NLA - Footplate, Aluminum, Extra Small, Black (5-3/4" W x 6" L)	1	1	
4		44200X059	Footplate, Aluminum, Small, Black (6-3/4" W x 6" L)	1	1	
4		44200X027	Footplate, Aluminum, Medium, Black (7-3/4" W x 6" L)	1	1	
5			1130582	Package, Plug Button, Black (7/8")	10	1
6		1006981	Spring, Tension	1	1	
7		1134426	Package, Plug Button, Black (3/4")	10	1	
	B	1074568	Package, Push Plug, Footplate	2	1	
8	C	See Chart	#8 Aluminum Footplate w/ Pivot Tube Assembly	1	1	
9		1134427	Package, Plug Button, Black, "D" Shaped (3/4")	10	1	
10		1134431	Pivot/Slide Tube w/ Plug Buttons, Black	10	1	
11		1025729	Screw, Phillips Pan Head Tap (#8-32 x 3/8")	1	2	
12		44200X059	Footplate, Aluminum, Small, Black (6-3/4" W x 6" L)	1	1	
12		44200X027	Footplate, Aluminum, Medium, Black (7-3/4" W x 6" L)	1	1	
13			1130582	Package, Plug Button, Black (7/8")	10	1
14			1006981	Spring, Tension	1	1
NOTE: A - Includes items 2-7 B - Not Shown C - Includes items 9-14						

# Footplate and Pivot Tube Assemblies - A1562 Aluminum

## #1 Aluminum Footplate w/ Pivot Tube Assembly

All Front Riggings except Wedge Style AT5044 Elevating Legrests

Description	Footplate Size	Chair Width	Right	Left
All Front Riggings Except Tapered Footrests	Extra Small	12-13"	1120333	1120334
All Front Riggings Except Tapered Footrests	Small	14-15"	1120335	1120336
All Front Riggings Except Tapered Footrests	Medium	16-18"	1120337	1120338
70 Degree Tapered Footrests	Small	16-17"	1120335	1120336
70 Degree Tapered Footrests	Medium	18"	1120337	1120338

Includes items 2-7

## #8 Aluminum Footplate w/ Pivot Tube Assembly

Wedge Style AT5044 Elevating Legrests

Footplate Size	Chair Width	Right	Left
Small	14-15"	1132113	1132114
Medium	16-18"	1132073	1132074

Includes items 9-14