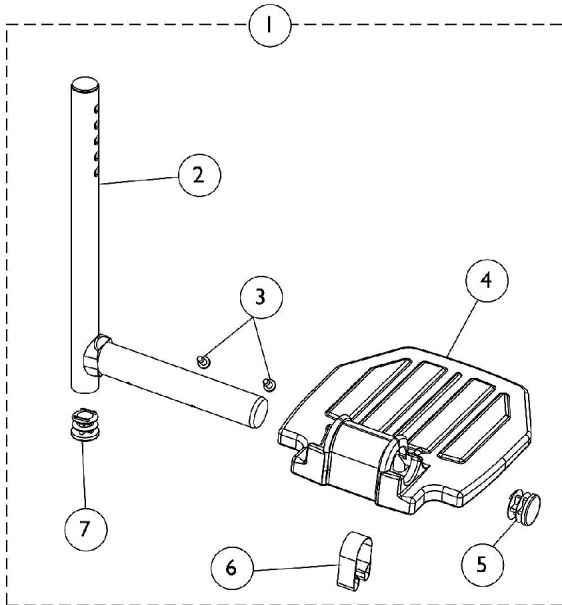
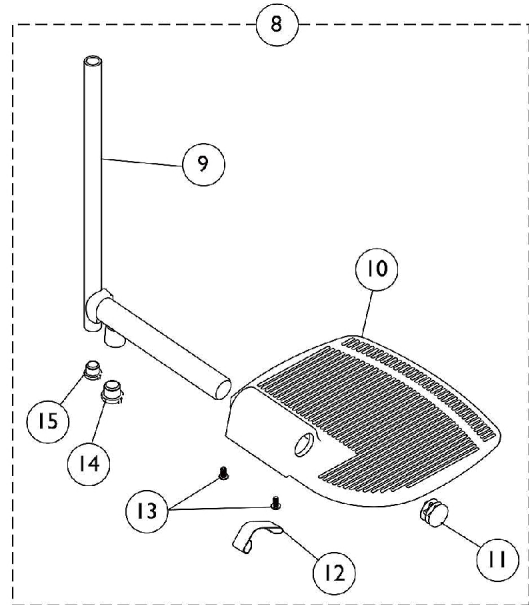


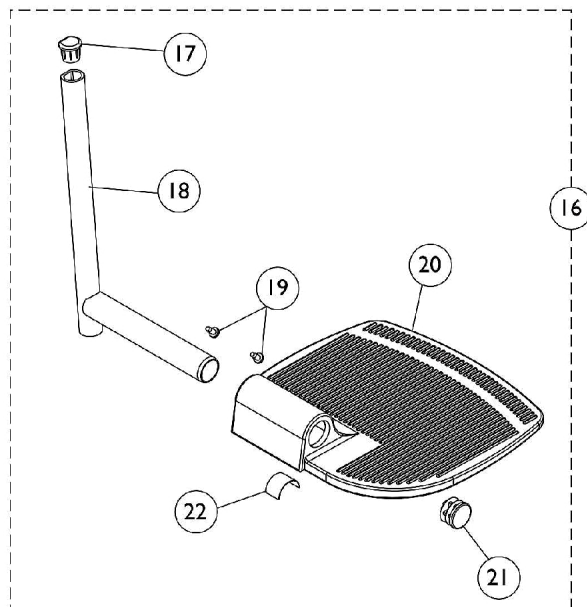
Pivot Tube w/ Footplate Assemblies - A1564 Extra Large Aluminum



**PHW93, 60°, 70° Non Tapered Footrests
and PH904A, Ratchet Style AT5044 Legrests**



PHAL4A and ATL4A Articulating Legrests



Wedge Style AT5044 Elevating Legrests

Pivot Tube w/ Footplate Assemblies - A1564 Extra Large Aluminum

Item Number	Note	Part Number	Description	Quantity Per	
				Package	Assembly
1	A	See Chart	#1 Extra Large Aluminum Footplate w/ Pivot Tube Assembly	1	1
2		1120330	Pivot/Slide Tube w/ Plug, Black	1	1
3		1025729	Screw, Phillips Pan Head Tap (#8-32 x 3/8")	1	2
4		44200X025	Footplate, Aluminum, Extra Large, Black - Right (8" W x 8-1/2" L)	1	1
4		44200X026	Footplate, Aluminum, Extra Large, Black - Left (8" W x 8-1/2" L)	1	1
5		1130582	Package, Plug Button, Black (7/8")	10	1
6		1006981	Spring, Tension	1	1
7		1134426	Package, Plug Button, Black (3/4")	10	1
8	B	See Chart	#8 Extra Large Aluminum Footplate w/ Pivot Tube Assembly	1	1
9		1041526	Pivot/Slide Tube w/ Plug Button Assembly, Chrome	1	1
10	D	1002343	Footplate, Aluminum, Extra Large, Black - Right (7" W x 8-1/2" L)	1	1
10	D	1002344	Footplate, Aluminum, Extra Large, Black - Left (7" W x 8-1/2" L)	1	1
10	E	44200X025	Footplate, Aluminum, Extra Large, Black - Right (8" W x 8-1/2" L)	1	1
10	E	44200X026	Footplate, Aluminum, Extra Large, Black - Left (8" W x 8-1/2" L)	1	1
11		1130582	Package, Plug Button, Black (7/8")	10	1
12		1006981	Spring, Tension	1	1
13		40120X001	Screw, Phillips Pan Head (#8-32 x 3/8")	1	2
14		1134426	Package, Plug Button, Black (3/4")	10	1
15		1134434	Package, Plug Button, Black (5/8")	10	1
16	C	See Chart	#16 Extra Large Aluminum Footplate w/ Pivot Tube Assembly	1	1
17		1134427	Package, Plug Button, Black, "D" Shaped (3/4")	10	1
18		1134431	Pivot/Slide Tube w/ Plug Buttons, Black	1	1
19		1025729	Screw, Phillips Pan Head Tap (#8-32 x 3/8")	1	2
20		44200X025	Footplate, Aluminum, Extra Large, Black - Right (8" W x 8-1/2" L)	1	1
20		44200X026	Footplate, Aluminum, Extra Large, Black - Left (8" W x 8-1/2" L)	1	1
21		1130582	Package, Plug Button, Black (7/8")	10	1
22		1006981	Spring, Tension	1	1

NOTE: A - Includes items 2-7
 B - Includes items 9-15
 C - Includes items 17-22
 D - Used only on ATL4A Articulating Legrest for 16" wide chairs
 E - Used on ATL4A Articulating Legrest for 17-22" wide chairs

Pivot Tube w/ Footplate Assemblies - A1564 Extra Large Aluminum

#1 Extra Large Aluminum Footplate w/ Pivot Tube Assembly

PHW93, 60°, 70° Non-Tapered Footrests. PH904A and Ratchet Syle AT5044 Legrests

Description	Footplate Size	Chair Width	Right	Left
PHW93, 60°, 70° Non-Tapered Footrests. PH904A and Ratchet Syle AT5044 Legrests	Medium	16-22"	1120339	1120340

#8 Extra Large Aluminum Footplate w/ Pivot Tube Assembly

PHAL4A & ATL4A Articulating Legrest

Description	Footplate Size	Chair Width	Right	Left
PHAL4A & ATL4A Articulating Legrest	Small	16"	1035454-NLA	1035455-NLA
PHAL4A & ATL4A Articulating Legrest	Medium	17-22"	1035456	1035457

#16 Extra Large Aluminum Footplate w/ Pivot Tube Assembly

Wedge Style AT5044 Elevating Legrests

Footplate Size	Chair Width	Right	Left
Medium	16-22"	1132084	1132085