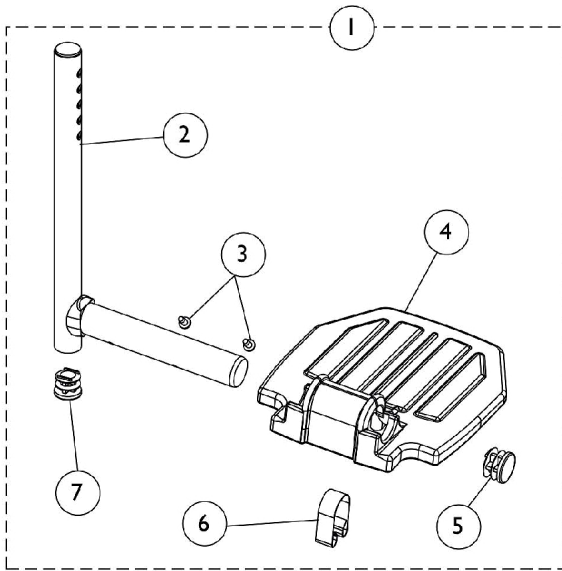
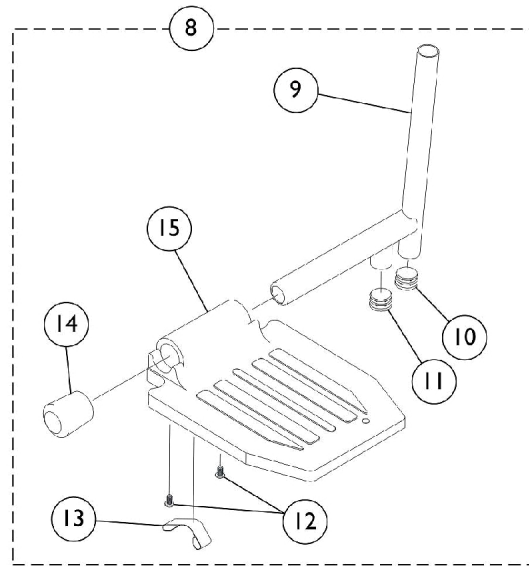


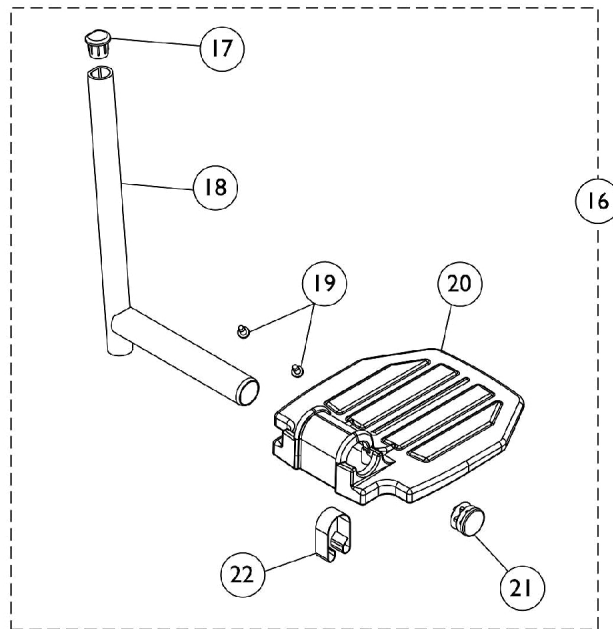
Pivot Tube w/ Footplate Assemblies - A1562 Aluminum



**PHW93, 60°, 70° Non-Tapered Footrests,
PH904A, and Ratchet Style AT5044 Legrests**



**PHAL4A and ATL4A
Articulating Legrests**



Wedge Style AT5044 Elevating Legrests

Pivot Tube w/ Footplate Assemblies - A1562 Aluminum

Item Number	Note	Part Number	Description	Quantity Per	
				Package	Assembly
1	A	See Chart	#1 Aluminum Footplate w/ Pivot Tube Assembly	1	1
2		1120330	Pivot/Slide Tube w/ Plug, Black	1	1
3		1025729	Screw, Phillips Pan Head Tap (#8-32 x 3/8")	1	2
4		44200X059	Footplate, Aluminum, Small, Black (6-3/4" W x 6" L)	1	1
4		44200X027	Footplate, Aluminum, Medium, Black (7-3/4" W x 6" L)	1	1
5		1130582	Package, Plug Button, Black (7/8")	10	1
6		1006981	Spring, Tension	1	1
7		1134426	Package, Plug Button, Black (3/4")	10	1
	D	1074568	Package, Push Plug, Footplate	2	1
8	B	See Chart	#8 Aluminum Footplate w/ Pivot Tube Assembly	1	1
9		1041526	Pivot/Slide Tube w/ Plug Button Assembly, Chrome	1	1
10		1134434	Package, Plug Button, Black (5/8")	10	1
11		1134426	Package, Plug Button, Black (3/4")	10	1
12		40120X001	Screw, Phillips Pan Head (#8-32 x 3/8")	1	2
13		1006981	Spring, Tension	1	1
14		1016346	Cap, End, Tube, Black (7/8")	1	1
15		44200X059	Footplate, Aluminum, Small, Black (6-3/4" W x 6" L)	1	1
15		44200X027	Footplate, Aluminum, Medium, Black (7-3/4" W x 6" L)	1	1
16	C	See Chart	#16 Aluminum Footplate w/ Pivot Tube Assembly	1	1
17		1134427	Package, Plug Button, Black, "D" Shaped (3/4")	10	1
18		1134431	Pivot/Slide Tube w/ Plug Buttons, Black	1	1
19		1025729	Screw, Phillips Pan Head Tap (#8-32 x 3/8")	1	2
20		44200X059	Footplate, Aluminum, Small, Black (6-3/4" W x 6" L)	1	1
20		44200X027	Footplate, Aluminum, Medium, Black (7-3/4" W x 6" L)	1	1
21		1130582	Package, Plug Button, Black (7/8")	10	1
22		1006981	Spring, Tension	1	1

NOTE: A - Includes items 2-7
B - Includes items 9-15
C - Includes items 17-22
D - Not Shown

Pivot Tube w/ Footplate Assemblies - A1562 Aluminum

#1 Aluminum Footplate w/ Pivot Tube Assembly

PHW93, 60°, 70° Non-Tapered Footrests. PH904A and Ratchet Syle AT5044 Legrests

Description	Footplate Size	Chair Width	Right	Left
PHW93, 60°, 70° Non-Tapered Footrests. PH904A and Ratchet Syle AT5044 Legrests	Small	14-15"	1120335	1120336
PHW93, 60°, 70° Non-Tapered Footrests. PH904A and Ratchet Syle AT5044 Legrests	Medium	16-22"	1120337	1120338

#8 Aluminum Footplate w/ Pivot Tube Assembly

PHAL4A & ATL4A Articulating Legrest

Description	Footplate Size	Chair Width	Right	Left
PHAL4A & ATL4A Articulating Legrest	Small	14-16"	1023905-NLA	1023906-NLA
PHAL4A & ATL4A Articulating Legrest	Medium	17-22"	1023907	1023908

#16 Aluminum Footplate w/ Pivot Tube Assembly

Wedge Style AT5044 Elevating Legrests

Footplate Size	Chair Width	Right	Left
Small	14-15"	1132113	1132114
Medium	16-22"	1132073	1132074