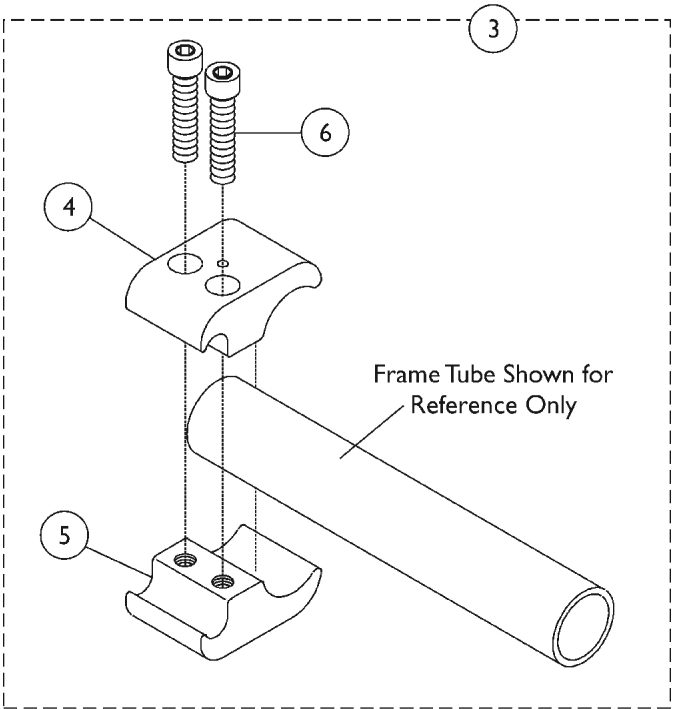
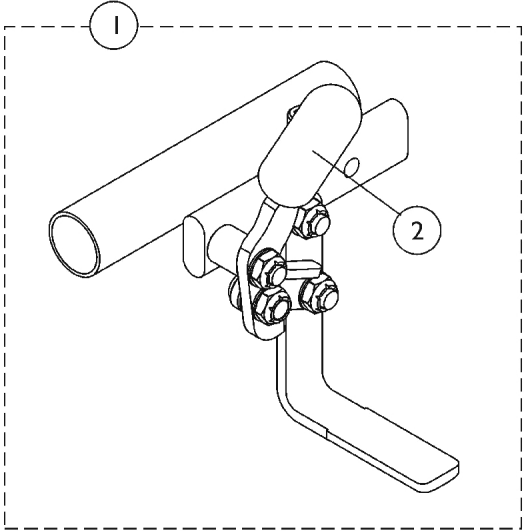


Clamp-On Wheel Locks

After 9/1/05



Clamp-On Wheel Locks After 9/1/05

Item Number	Note	Part Number	Description	Quantity Per	
				Package	Assembly
1		1049539	Wheel Lock, Clamp On, Pull to Lock - Right	1	1
1		1049540	Wheel Lock, Clamp On, Pull to Lock - Left	1	1
1		1047703	Wheel Lock, High Mount, Push to Lock - Right	1	1
1		1047704	Wheel Lock, High Mount, Push to Lock - Left	1	1
2		47376X024	Tip, Rubber Wheel Lock Handle, Black	1	1
3	A,B	1039343	Kit, Clamp Wheel Lock Hardware (Pair)	1	1
4			NLA - Clamp, Wheel Lock, Non-Threaded (7/8")	1	2
5			Clamp, Wheel Lock, Threaded (7/8")	1	2
6			Screw, Allen Head (1/4-20 x 1")	1	4

NOTE: A - Includes items 4-6.
B - In order to assemble, the non-threaded clamp is above the seat rail or frame and the threaded is below the seat rail or frame.