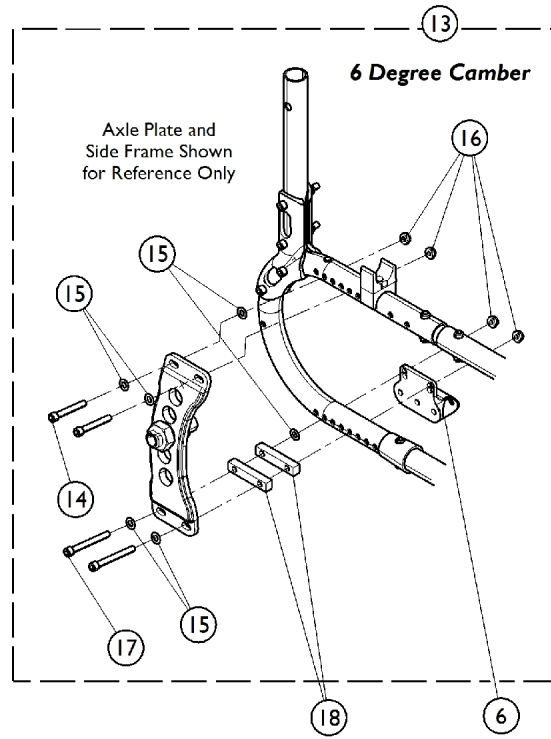
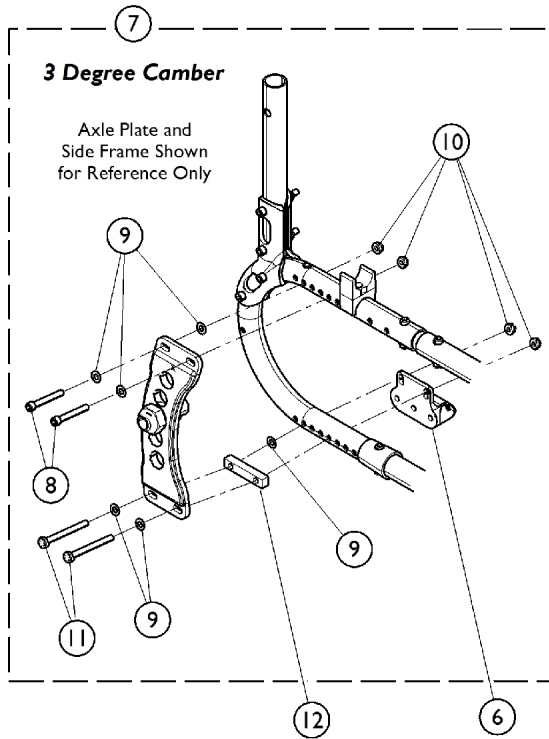
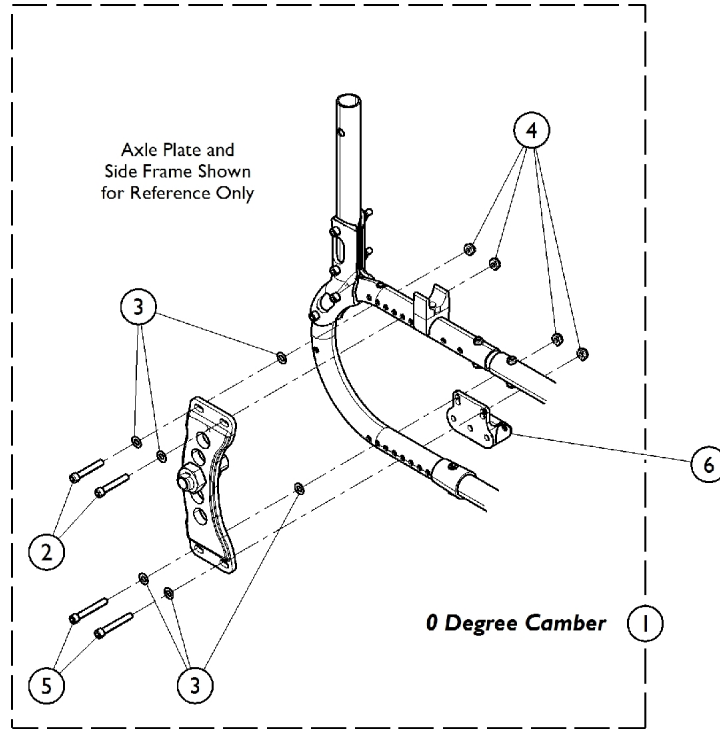


# Axle Mounting Plate Hardware and Camber Inserts - Chairs w/ Anti-Tippers



## Axle Mounting Plate Hardware and Camber Inserts - Chairs w/ Anti-Tippers

Item Number	Note	Part Number	Description	Quantity Per	
				Package	Assembly
1	A	1130547	Kit, Axle Plate Attaching Hardware	1	1
2			Screw, Socket Head (1/4-28 x 1-1/2")	1	4
3			NLA - Washer, Flat (1/4 x 1/2 x 1/16")	1	12
4			Locknut (1/4-28)	1	8
5			Screw, Socket Head (1/4-28 x 1-3/4")	1	4
6		1128068	Bracket, Anti-Tipper, Black	1	2
7	B	1130548	Kit, Axle Plate Attaching Hardware	1	1
8			Screw, Socket Head (1/4-28 x 1-3/4")	1	4
9			NLA - Washer, Flat (1/4 x 1/2 x 1/16")	1	12
10			Locknut (1/4-28)	1	8
11			Screw, Socket Head (1/4-20 x 2-1/4")	1	4
12		1130499	Insert, Camber (7/16 x 2-1/4 x 3/8")	1	2
13	C	1130549	Kit, Axle Plate Attaching Hardware	1	1
14			Screw, Socket Head (1/4-28 x 1-3/4")	1	4
15			NLA - Washer, Flat (1/4 x 1/2 x 1/16")	1	12
16			Locknut (1/4-28)	1	8
17			NLA - Screw, Hex Head (1/4-28 x 2-1/2")	1	4
18		1130499	Insert, Camber (7/16 x 2-1/4 x 3/8")	1	4

NOTE: A - Chairs with 0° Camber. Includes items 2-5.  
B - Chairs with 3° Camber. Includes items 8-11.  
C - Chairs with 6° Camber. Includes items 14-17.