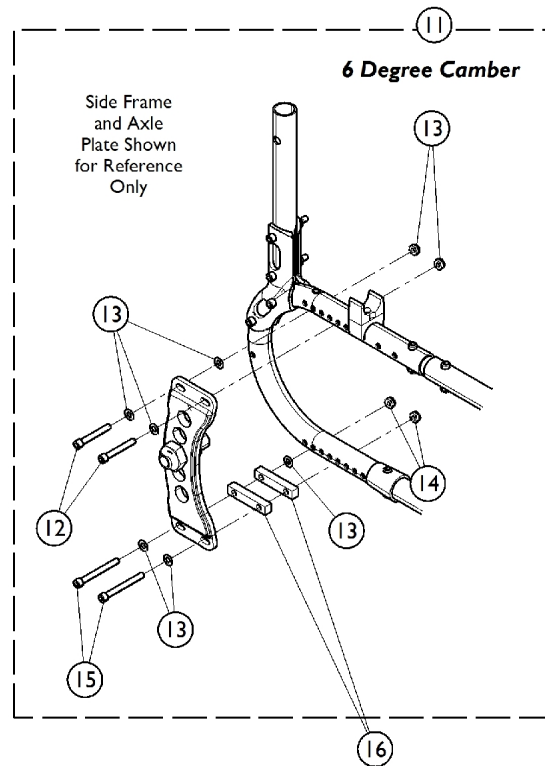
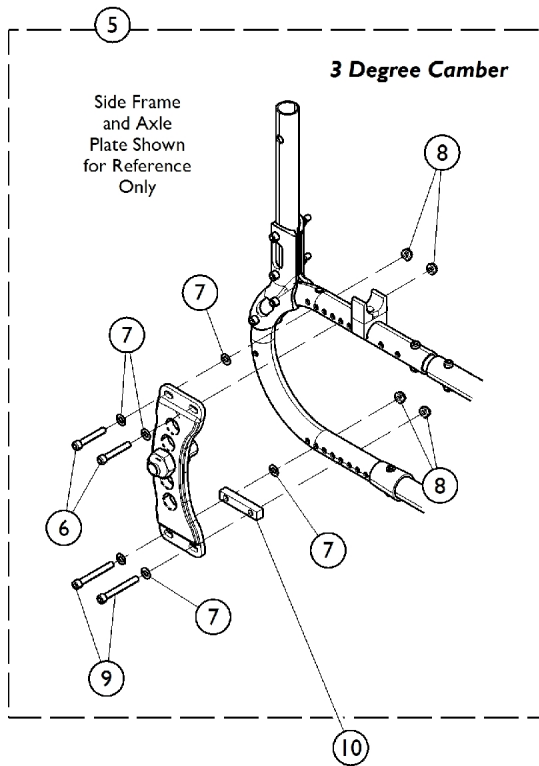
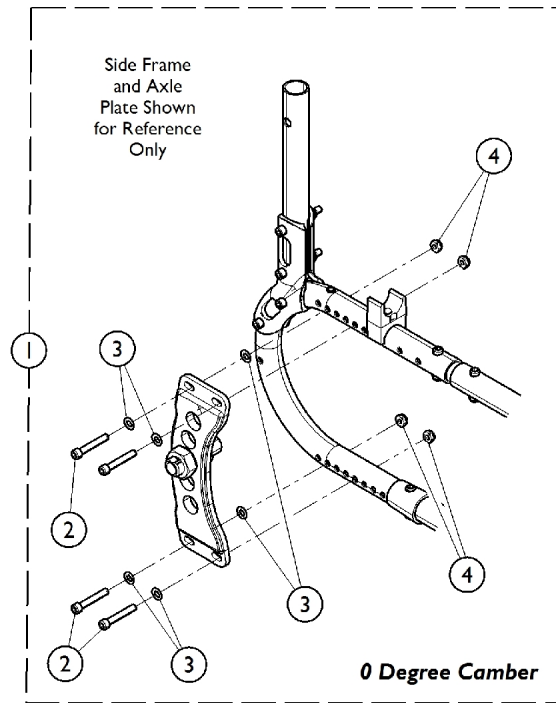


Axle Mounting Plate Hardware and Camber Inserts - Chairs without Anti-Tippers



Axle Mounting Plate Hardware and Camber Inserts - Chairs without Anti-Tippers

Item Number	Note	Part Number	Description	Quantity Per	
				Package	Assembly
1	A	1130546	Kit, Axle Plate Attaching Hardware	1	1
2			Screw, Socket Head (1/4-28 x 1-1/2")	1	8
3			NLA - Washer, Flat (1/4 x 1/2 x 1/16")	1	12
4			Locknut (1/4-28)	1	8
5	B	1137251	Kit, Axle Plate Attaching Hardware	1	1
6			Screw, Socket Head (1/4-28 x 1-1/2")	1	4
7			NLA - Washer, Flat (1/4 x 1/2 x 1/16")	1	12
8			Locknut (1/4-28)	1	8
9			Screw, Socket Head (1/4-28 x 2")	1	4
10		1130499	Insert, Camber (7/16 x 2-1/4 x 3/8")	1	2
11	C	1130548	Kit, Axle Plate Attaching Hardware	1	1
12			Screw, Socket Head (1/4-28 x 1-3/4")	1	4
13			NLA - Washer, Flat (1/4 x 1/2 x 1/16")	1	12
14			Locknut (1/4-28)	1	8
15			Screw, Socket Head (1/4-20 x 2-1/4")	1	4
16		1130499	Insert, Camber (7/16 x 2-1/4 x 3/8")	1	4
NOTE: A - Chairs with 0° Camber. Includes items 2-4. B - Chairs with 3° Camber. Includes items 6-9. C - Chairs with 6° Camber. Includes items 12-15.					