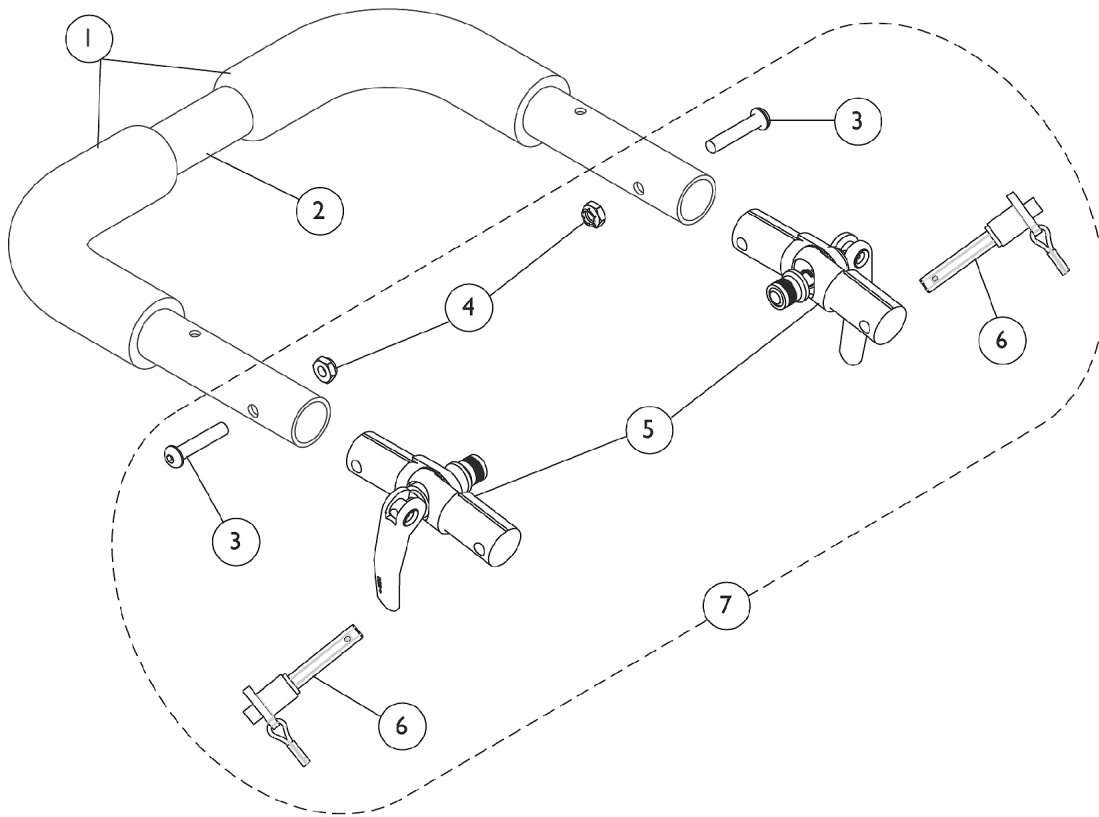


# Adjustable Angle Stroller Handle

Before 8/16/05



## Adjustable Angle Stroller Handle Before 8/16/05

Item Number	Note	Part Number	Description	Quantity Per	
				Package	Assembly
1		1133698	Grip, Foam Hand (9" L)	1	2
2	A	See Chart	#2 Push Handle with Grip (14-18" Wide)	1	1
2	A	See Chart	#2 Push Handle with Grip (19-22" Wide)	1	1
3		1055309	Screw, Socket Button Head (1/4-28 x 1-1/4")	1	2
4		1025765	Locknut (1/4-28)	1	4
5		1112539	Folding Hinge Assembly	1	2
6		1045470	Pin, Quick Release with Lanyard	1	2
7	B	1114689-NLA	NLA - Hardware, Stroller Handle Hinge (1 Pair)	2	1

NOTE: A - See Push Handle w/ Grip Charts  
B - Includes items 3-6

### #2 Push Handle with Grip (14-18" Wide)

14" Wide	15" Wide	16" Wide	17" Wide	18" Wide
1082622-NLA	1082623	1082624	1086406	1086407

### #2 Push Handle with Grip (19-22" Wide)

19" Wide	20" Wide	21" Wide	22" Wide
1086408	1086409-NLA	1086410	1086411