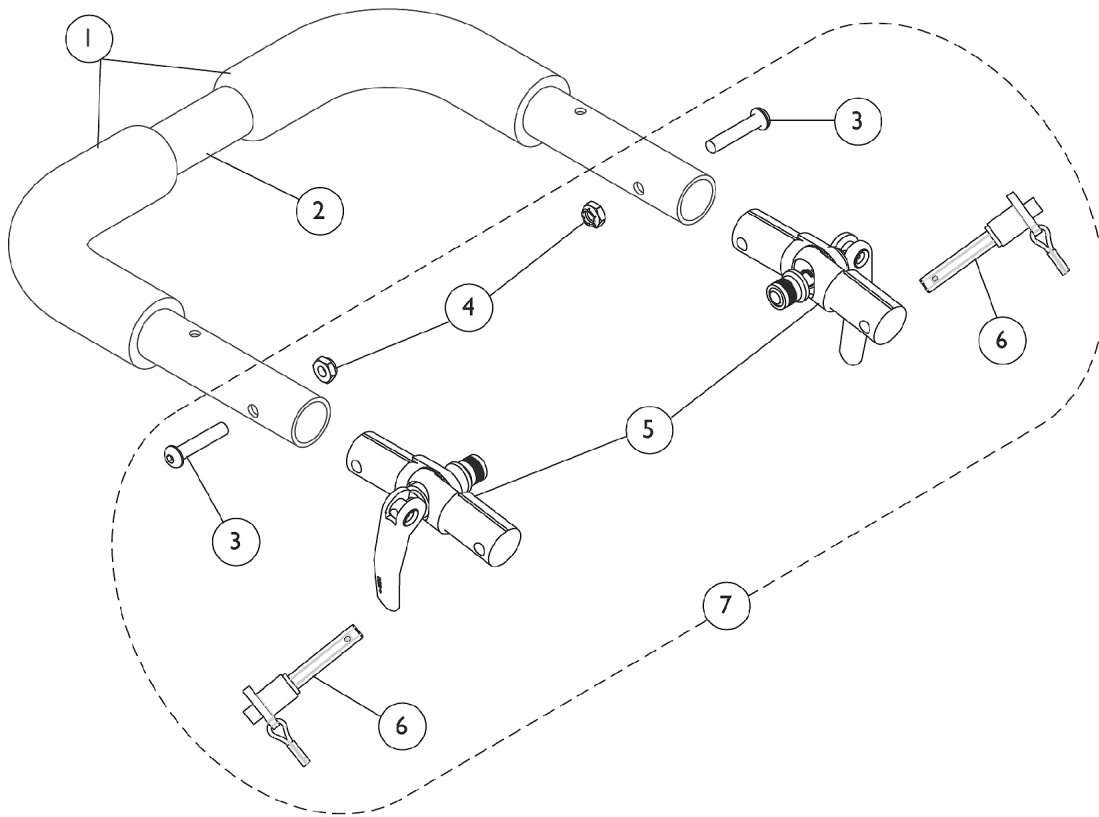


Adjustable Angle Stroller Handle

(8/16/05 to 5/29/08)



Adjustable Angle Stroller Handle (8/16/05 to 5/29/08)

Item Number	Note	Part Number	Description	Quantity Per	
				Package	Assembly
1	A	1032245	Grip, Foam Hand (6-7/8" L)	1	2
1	B	1133698	Grip, Foam Hand (9" L)	1	2
2		See Chart	#2 Push Handle with Grip (10-13" Wide)	1	1
2		See Chart	#2 Push Handle with Grip (14-18" Wide)	1	1
3		1055309	Screw, Socket Button Head (1/4-28 x 1-1/4")	1	2
4		1025765	Locknut (1/4-28)	1	4
5		1112539	Folding Hinge Assembly	1	2
6		1045470	Pin, Quick Release with Lanyard	1	2
7	C	1114689-NLA	NLA - Hardware, Stroller Handle Hinge (1 Pair)	2	1

NOTE: A - 10-11" Wide Chairs
B - 12-18" Wide Chairs
C - Includes items 3-6

#2 Push Handle with Grip (10-13" Wide)

10" Wide	11" Wide	12" Wide	13" Wide
1082618-NLA	1082619-NLA	1082620-NLA	1082621-NLA

#2 Push Handle with Grip (14-18" Wide)

14" Wide	15" Wide	16" Wide	17" Wide	18" Wide
1082622-NLA	1082623	1082624	1086406	1086407