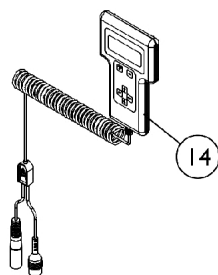
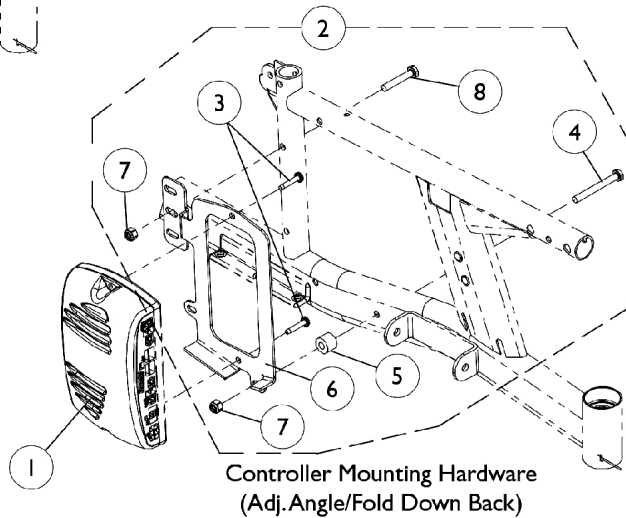
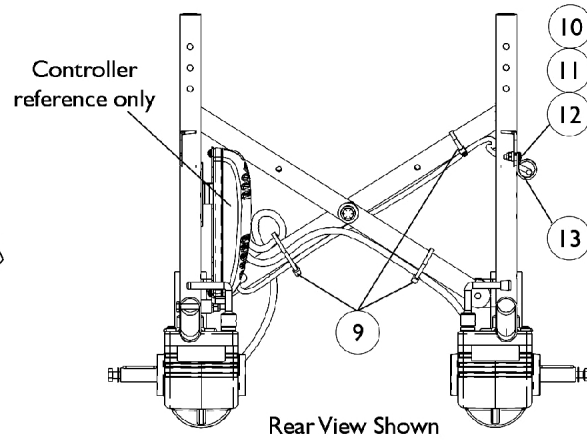
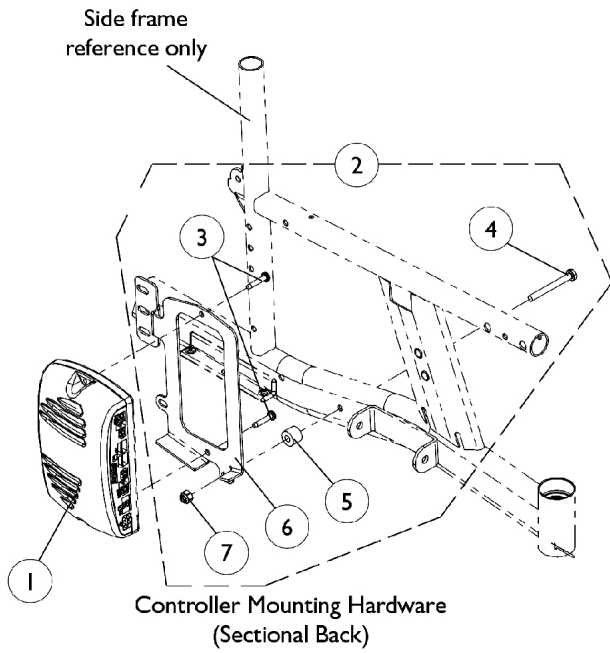
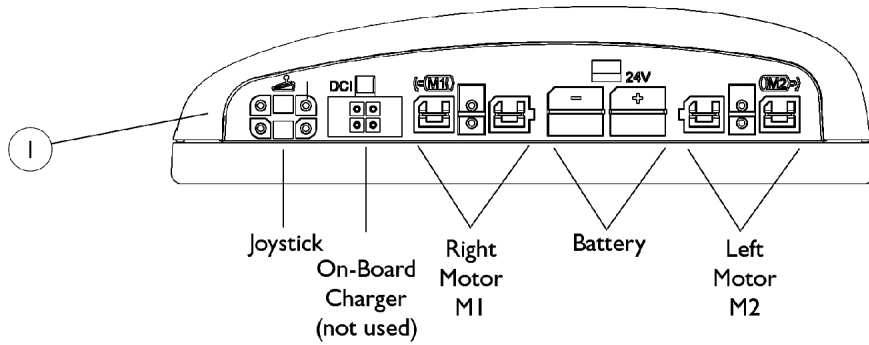


MK5 Controllers, Programmer and Hardware

After 2/14/03



MK5 Controllers, Programmer and Hardware After 2/14/03

Item Number	Note	Part Number	Description	Quantity Per	
				Package	Assembly
1	A	1109530	Controller, MK5 NX	1	1
1	A	1109530E-NLA	NLA - WARR RPLMT - Controller, MK5 NX	1	1
1	B	1109531-NLA	NLA - Controller, MK5 NX-LP	1	1
2	C,F	1115360-NLA	NLA - Hardware, MK5 Controller Mounting, Sectional Back	1	1
2	D	1115361-NLA	NLA - Hardware, MK5 Controller Mounting, Adj. Angle Fold Down Back	1	1
3		1113439-NLA	NLA - Screw, Phillips Pan Head Tap (#10-32 x 1")	1	2
4		1026154-NLA	NLA - Screw, Hex Head (1/4-20 x 2-1/4")	1	1
5		1112992-NLA	NLA - Spacer (9/32 x 5/8 x 1/2")	1	1
6		1112989-NLA	NLA - Bracket, MK5 Controller Mounting, Black	1	1
7	E	1025736	Locknut (1/4-20)	1	1
8		1070759	Screw, Hex Head (1/4-20 x 1-1/2")	1	1
9		1095502-NLA	NLA - Package, Tie Wrap (11-1/2" L)	10	3
10		1025716	Screw, Phillips Pan Head (#10-32 x 11/16")	1	1
11		1025731	Locknut (#10-32)	1	1
12		1026034-NLA	NLA - Washer, Nylon (3/16 x 7/16 x 1/8")	1	1
13		50000X403-NLA	NLA - Clamp, Black Plastic	1	1
14		1109091-NLA	NLA - Programmer, Remote	1	1

NOTE: A - For R51, R51LX and R51LXP models
B - For R32, R32LX, R50LX models
C - Includes items 3-7
D - Includes items 3-8
E - Adj. angle/fold down back takes 2 in quantity
F - This part is no longer available. Please use part number 1115361 as a direct replacement.