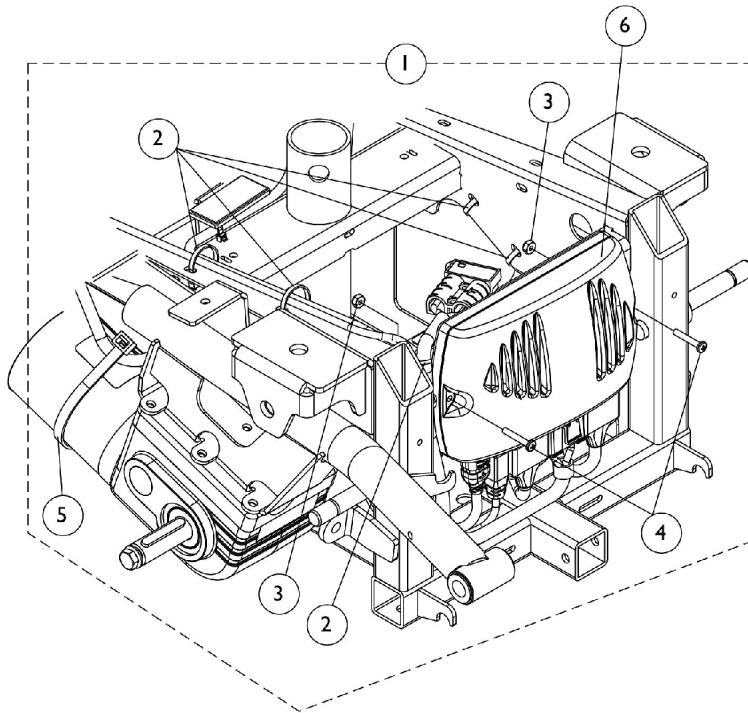
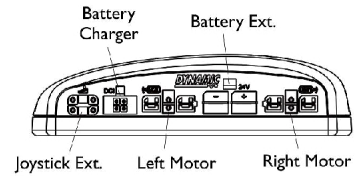


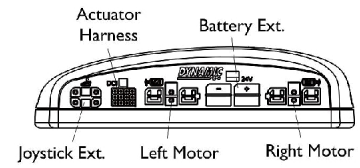
# Electronics - MK5 NX Controllers and Battery Chargers



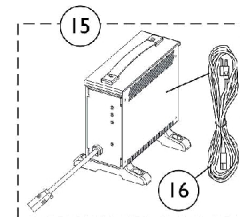
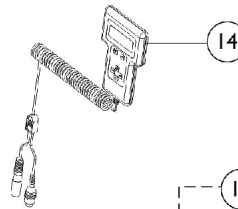
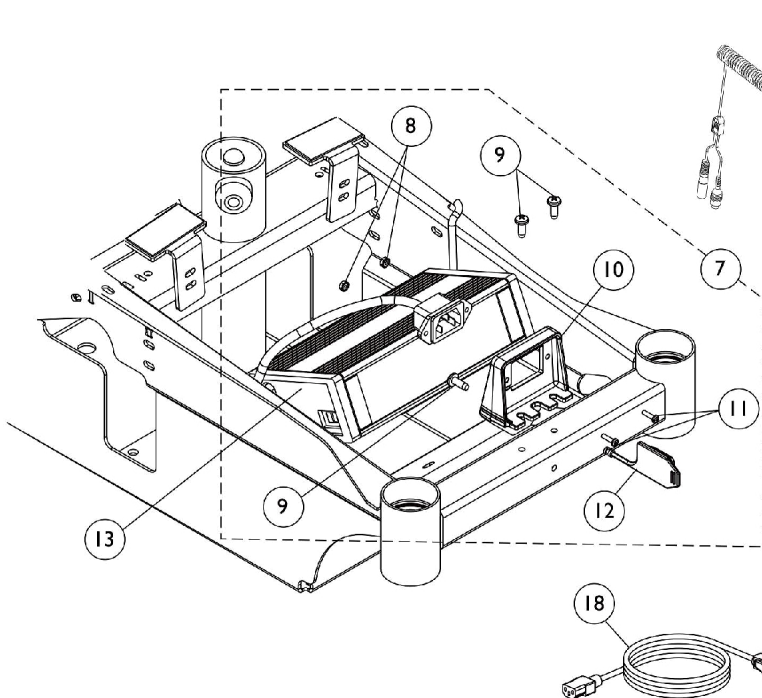
## Controller Connections



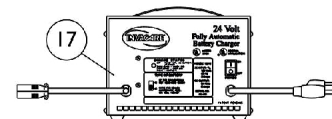
## Controller for Non-Elevating Seat



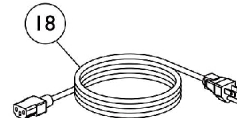
## Controller for Elevating Seat



CTE Battery Charger



Lester Battery Charger



# Electronics - MK5 NX Controllers and Battery Chargers

Item Number	Note	Part Number	Description	Quantity Per	
				Package	Assembly
1	A	1127302	Kit, Controller Mounting Hardware	1	1
2			Tie Wrap (5-5/8" L)	1	14
3			Locknut (#8-32)	1	2
4			Screw, Phillips Pan Head (#8-32 x 1")	1	2
5			Tie Wrap (17-1/2" L)	1	2
6	F	1109531-NLA	NLA - Controller, MK5 NX-LP	1	1
6	G	1109530	Controller, MK5 NX	1	1
6	G	1109530E-NLA	NLA - WARR RPLMT - Controller, MK5 NX	1	1
6	H,J,J1	1127270	Controller, MK5 NX w/ ACC/ MK660 w/ ACC	1	1
7	B	1127301	Kit, Charger Mounting Hardware	1	1
8			Nut, Hex Keps (#4-40)	1	2
9			Screw, Phillips Pan Head Tap (#10-32 x 1/2")	1	3
10			Bracket, Charger Connector, Black	1	1
11			Screw, Phillips Pan Head (#4-40 x 7/16")	1	2
12			Cover, Connector	1	1
13	I	1118923	Charger, Battery with Power Cord 3 Amp, On-Board	1	1
13	I	1118923E-NLA	NLA - WARR RPLMT - Charger, Battery w/ Power Cord 3 Amp, On-Board	1	1
14		1109091-NLA	NLA - Programmer, Remote	1	1
15	C,D	1123249	Charger, Battery, 8 Amp. 115vac (Off Board) Single Mode Round Plug w/ AC Power Line Cord	1	1
15	C,D	1123249E-NLA	NLA - WARR RPLMT - Charger, Battery, 8 Amp, 115VAC (Off Board) Single Mode Round Plug w/ AC Power Line Cord	1	1
16	K	1089627-NLA	NLA - Cord, AC Power, 115VAC, 2 Prong Off-Board (11' 6" L)	1	1
16		1121086	Cord, AC Power, 115VAC, 3 Prong On-Board (6' 6-1/2" L)	1	1
17	E,L	1053161-NLA	NLA - Charger, Battery, 8 Amp, 115vac, Off Board Dual Mode Round Plug, Lester	1	1
18		1121086	Cord, AC Power, 115VAC, 3 Prong On-Board (6' 6-1/2" L)	1	1

NOTE: A - Includes items 2-5, does not include controller  
 B - Includes items 8-12  
 C - Used on Gel Cell or AGM (Absorbed Glass Mat) batteries. For wet cell batteries refer to the Lester 8 amp charger  
 D - Includes item 16, AC power cord  
 E - Used on Wet Cell batteries  
 F - Used on M50 models  
 G - Used on M51 models  
 H - Used on M61 models  
 I - On Board charger is included as a standard feature.  
 J - After 10/8/06 the MK5 NX w/ ACC controller was revised to function as a MK660 w/ ACC or MK5 NX w/ ACC controller.  
 The part # did not change and the label was revised to only show MK660 w/ ACC.  
 J1 - Revised controller is backward compatible with MK5 Driver Controls manufactured Before 10/9/06. Controllers in the field that show the MK5 NX w/ ACC label and serial # dated Before 10/9/06 will not have revised software to work with MK61 Driver Controls.  
 K - No longer available as a service part. Please use 1121086 as its replacement.  
 L - Use Battery Charger part number 1123249 as a replacement.