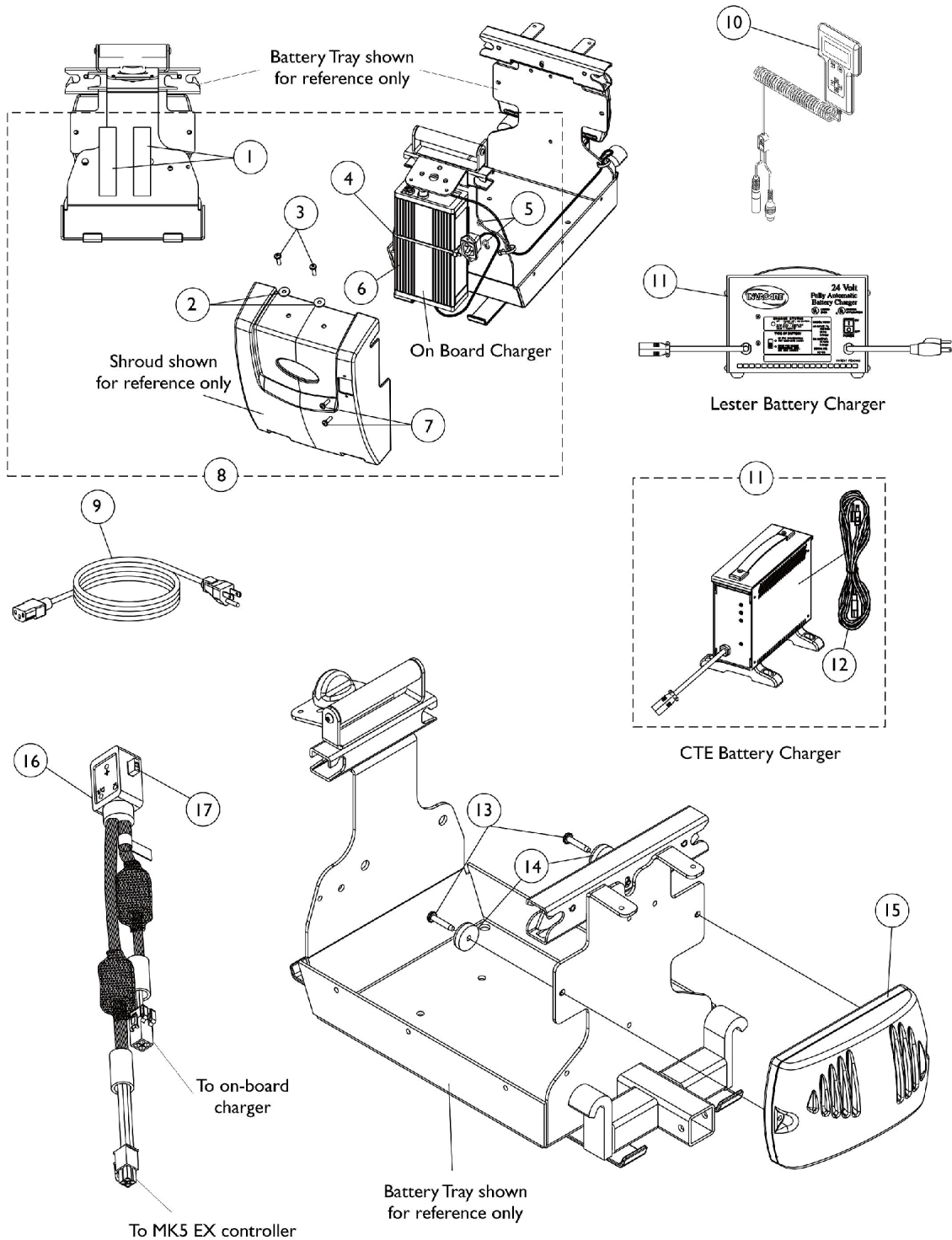


MK5 Controllers, Cables, Programmer, and Battery Charger

After 6/26/03

NOTE: MK5 Electronics were not available on chairs with a PTO Seating System built Before 2/1/04. See MKIV Electronics for these chairs.



MK5 Controllers, Cables, Programmer, and Battery Charger

After 6/26/03

NOTE: MK5 Electronics were not available on chairs with a PTO Seating System built Before 2/1/04. See MKIV Electronics for these chairs.

Item Number	Note	Part Number	Description	Quantity Per	
				Package	Assembly
1		1095507-NLA	NLA - Fastener, Hook and Loop Adhesive (2" W x 12" L)	1	2
2		1070587	Washer, Flat (3/16 x 5/8 x 1/16")	1	2
3		1117240	Screw, Thumb (#10-32 x 1/2")	1	2
4		98007X005	Tie Wrap (11-1/2" L)	1	3
5		P0870X000	Nut, Hex Keps (#4-40)	1	2
6	C	1118923	Charger, Battery with Power Cord 3 Amp, On-Board	1	1
6	C	1118923E-NLA	NLA - WARR RPLMT - Charger, Battery w/ Power Cord 3 Amp, On-Board	1	1
6	G	1122285-NLA	NLA - Charger, Battery with Power Cord 3 Amp, On-Board	1	1
7		1021742	Screw, Phillips Pan Head (#4-40 x 1/2")	1	2
8	A,C	1119581	Charger, Battery with Hardware, 3 Amp, On Board	1	1
8	A,G	1122286-NLA	NLA - Kit, Battery Charger with Hardware - 3 Amp. (On-Board)	1	1
9		1121086	Cord, AC Power, 115VAC, 3 Prong On-Board (6' 6-1/2" L)	1	1
10		1109091-NLA	NLA - Programmer, Remote	1	1
11	D,I	1053161-NLA	NLA - Charger, Battery, 8 Amp, 115vac, Off Board Dual Mode Round Plug, Lester	1	1
11	E,E1	1123249	Charger, Battery, 8 Amp. 115vac (Off Board) Single Mode Round Plug w/ AC Power Line Cord	1	1
11	E,E1	1123249E-NLA	NLA - WARR RPLMT - Charger, Battery, 8 Amp, 115VAC (Off Board) Single Mode Round Plug w/ AC Power Line Cord	1	1
12	H	1089627-NLA	NLA - Cord, AC Power, 115VAC, 2 Prong Off-Board (11' 6" L)	1	1
12		1121086	Cord, AC Power, 115VAC, 3 Prong On-Board (6' 6-1/2" L)	1	1
13		1113439-NLA	NLA - Screw, Phillips Pan Head Tap (#10-32 x 1")	1	2
14		1109471-NLA	NLA - Bumper with Washer	1	2
15		1109530	Controller, MK5 NX	1	1
15		1109530E-NLA	NLA - WARR RPLMT - Controller, MK5 NX	1	1
15	B	1122191-NLA	NLA - Controller, MK5 NX-80	1	1
15		1115750-NLA	NLA - Controller, MK5 EX	1	1
16	F	1127429-NLA	NLA - Cable, Splitter Auxiliary Power	1	1
17		1090117-NLA	NLA - Fuse - Buss Mini ATM-15 (15 AMP)	1	1

MK5 Controllers, Cables, Programmer, and Battery Charger

After 6/26/03

NOTE: MK5 Electronics were not available on chairs with a PTO Seating System built Before 2/1/04. See MKIV Electronics for these chairs.

NOTE: A - Includes items 1-7
B - Only available on chairs with PTO Seating System
C - Used on chairs without Power Tilt Only (PTO) seating system.
D - The 8 Amp. Lester charger was standard on-chair before 4/1/04, the CTE charger from 4/1/04 thru 7/14/04, on Power Tilt Only (PTO) seating system chairs.
E - CTE charger introduced on-chair as an optional choice 4/1/04 and standard on-chair from 4/1/04 thru 7/14/04 when a Power Tilt Only (PTO) seating system is present
E1 - Used on Gel Cell or AGM (Absorbed Glass Mat) batteries. Serial number starts with 04A00000001. For wet cell batteries refer to the Lester 8 Amp. charger.
F - Used only when PTO Plus is present. Item 17 (fuse) is included.
G - Used on PTO Plus models. On-board charger is standard on chairs with Power Tilt Only (PTO Plus) seating system.
H - No longer available as a service part. Please use 1121086 as its replacement.
I - Use Battery Charger part number 1123249 as a replacement.