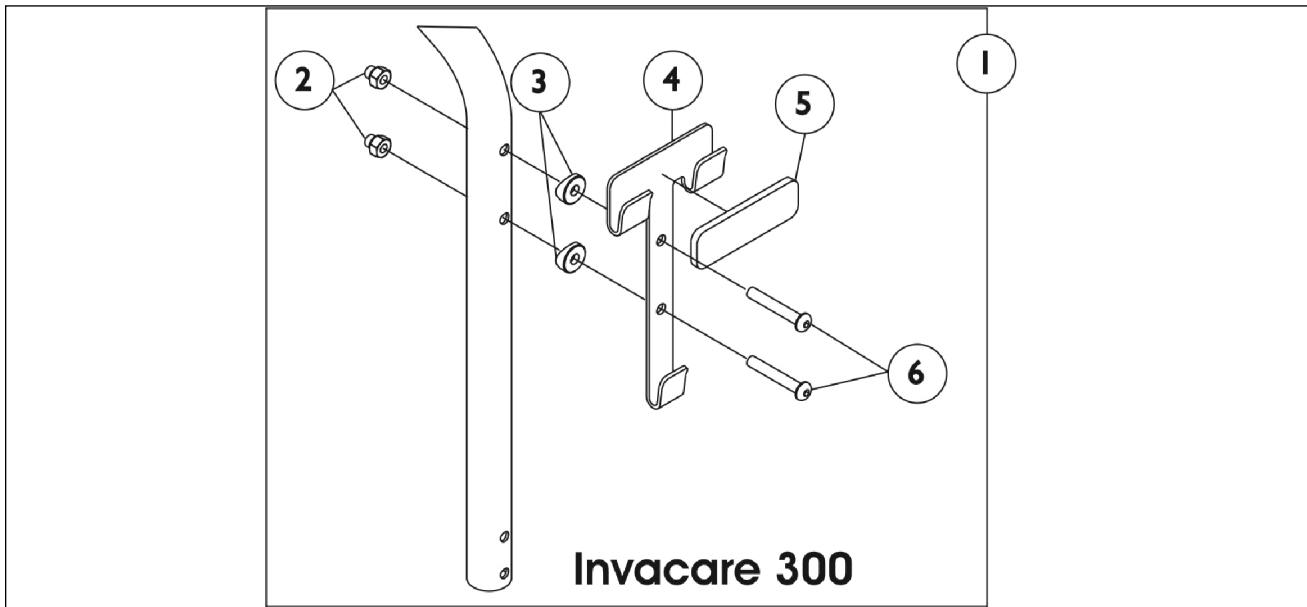


Basket and Hardware - Invacare 300 Scooter



Item Number	Note	Part Number	Description	Quantity Per	
				Package	Assembly
1	A	1118432	NLA - Kit, Basket Mounting Hardware	1	1
2			Nut, Hex with Nylon Cap (1/4-20)	1	2
3			Spacer, Coved (1/4 x 11/16 x 1/2")	1	2
4			NLA - Bracket, Basket Mounting, Black (Invacare 300 Scooter)	1	1
5			NLA - Pad, Foam	1	1
6			Screw, Socket Button Head (1/4-20 x 1-1/2")	1	2
7		1120484	Basket, Front	1	1

NOTE: A - Includes: Items 2-6