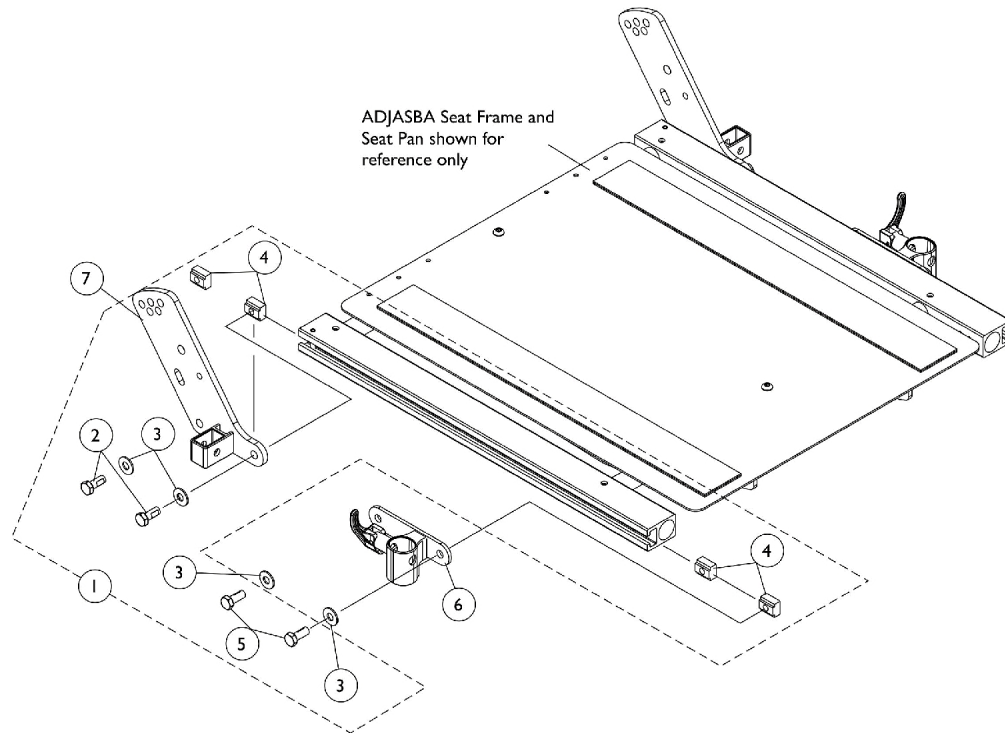


Front/Rear Arm Socket Assembly and Hardware ADJASBA (After 8/07/05 Only)



| Item Number | Note | Part Number | Description | Quantity Per | |
|-------------|------|-------------|---|--------------|----------|
| | | | | Package | Assembly |
| 1 | A | 1125734 | Kit, Front/Rear Arm Socket Assembly Mounting Hardware | 1 | 1 |
| 2 | | | Screw, Hex Head w/ Patch (5/16-18 x 3/4") | 1 | 2 |
| 3 | | | Washer, Steel (5/16 x 3/4 x 1/16") | 1 | 4 |
| 4 | | | T-Nut (5/16-18) | 1 | 4 |
| 5 | | | Screw, Hex Head w/ Patch (5/16-18 x 5/8") | 1 | 2 |
| 6 | | 1122619 | Socket, Arm, Front - Right | 1 | 1 |
| 6 | | 1122620 | Socket, Arm, Front - Left | 1 | 1 |
| 7 | | 1125478 | Bracket, Arm Socket/Cane, Rear - Right | 1 | 1 |
| 7 | | 1125479 | Bracket, Arm Socket/Cane, Rear - Left | 1 | 1 |

NOTE: A - Includes items 2-5