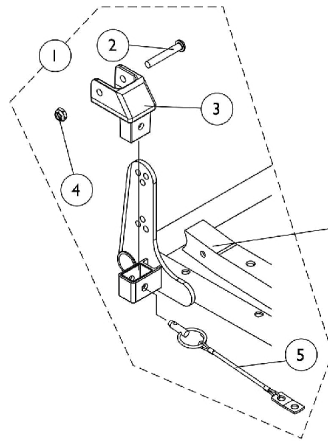
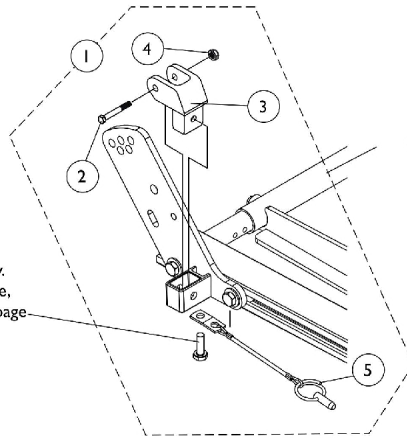


# Arm Mounting Swingaway Hardware

## ASBA and ADJASBA Seats



**ASBA Seat Frame**  
Before 8/08/05 shown for  
reference only.



**ADJASBA Seat Frame**  
After 8/07/05 shown for  
reference only.

Hex Cap Screw  
shown for reference only.  
See ADJASBA Seat Frame,  
Seat Pan and Hardware page

Item Number	Note	Part Number	Description	Quantity Per	
				Package	Assembly
1	A	1068488	Kit, Swingaway Armrest Mounting Hardware	1	1
2		1019590	Screw, Socket Button Head (1/4-20 x 1-5/8")	1	1
3		1068025	Clevis, Pivot	1	1
4		1025195	Locknut (1/4-20)	1	1
5		1068039	Pin, Pull	1	1

NOTE: A - Includes items 2-5