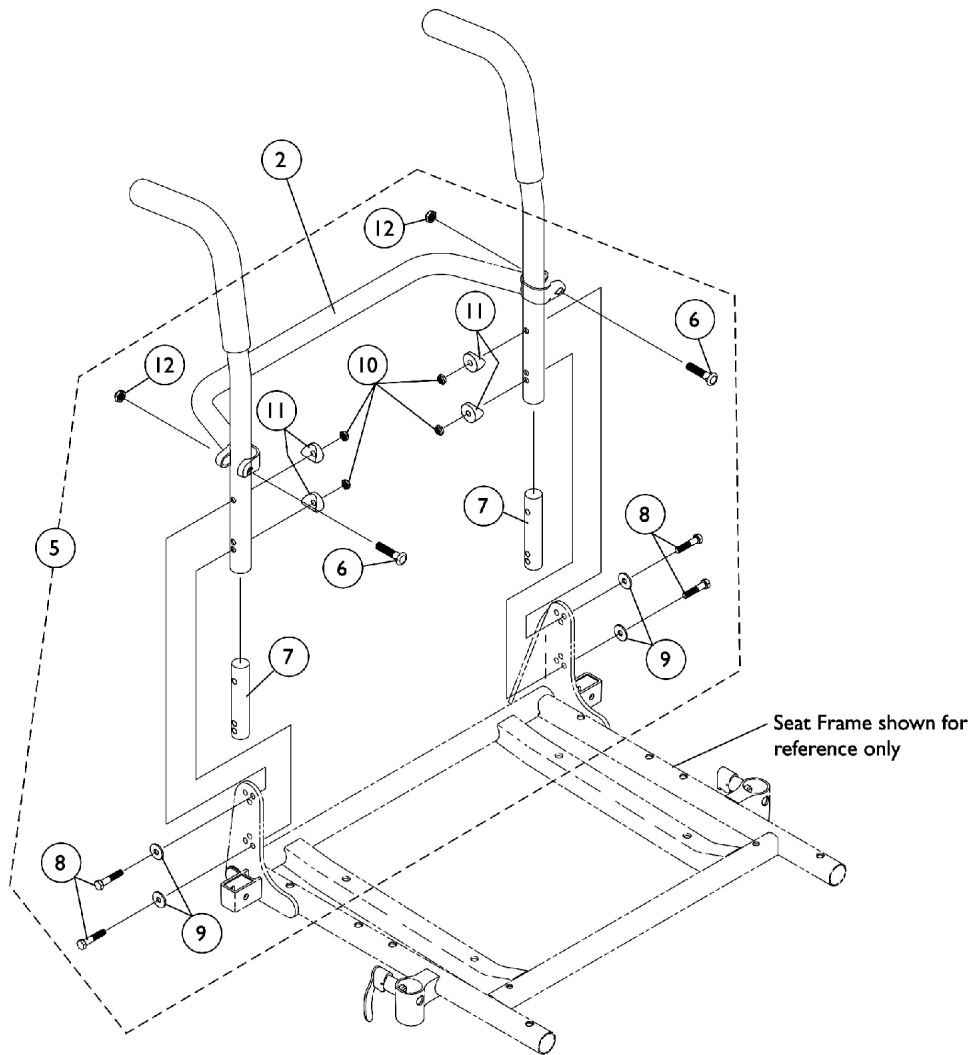
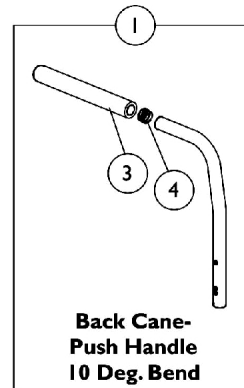


Back Canes, Spreader Bar, and Attaching Hardware For ASBA Seat (Before 8/08/05)



Back Canes, Spreader Bar, and Attaching Hardware For ASBA Seat (Before 8/08/05)

Item Number	Note	Part Number	Description	Quantity Per	
				Package	Assembly
1		See Chart	#1 10° Back Cane with Grip (16-20" Back Height)	1	2
2		See Chart	#2 Spreader Bar (16-20" Wide)	1	1
3		1135506	Package, Foam Hand Grip (9" L)	10	1
4		1130582	Package, Plug Button, Black (7/8")	10	1
5	A	1070457-NLA	NLA - Kit, Back Cane Attaching Hardware	2	1
6			Screw w/ Lug (5/16-24 x 1-3/8")	1	2
7			Insert, Non-Threaded Back Cane (For Back Heights 20" and Lower)	1	2
8			Screw, Hex Head (1/4-20 x 1-5/8")	1	4
9			Washer (1/4 x 23/32 x 1/16")	1	4
10			Locknut (1/4-20)	1	4
11			Spacer, Coved (1/4 x 11/16 x 1/2")	1	4
12			Locknut (5/16-24)	1	2

NOTE: A - Includes Items 6-12

#1 10° Back Cane with Grip

16-20" Back Height

16" High	17" High	18" High	19" High	20" High
1045575	1045576	1045577	1045578	1045579-NLA

#2 Spreader Bar

16-20" Wide

16" Wide	17" Wide	18" Wide	19" Wide	20" Wide
1043873	1043874	1043875	1043876	1043877