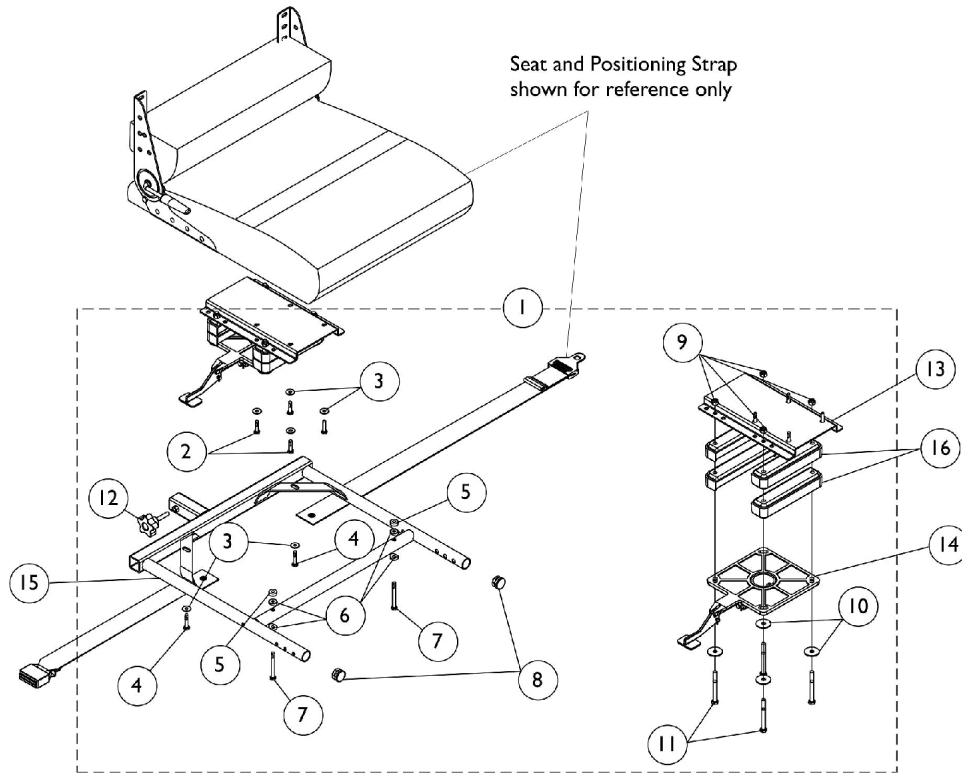


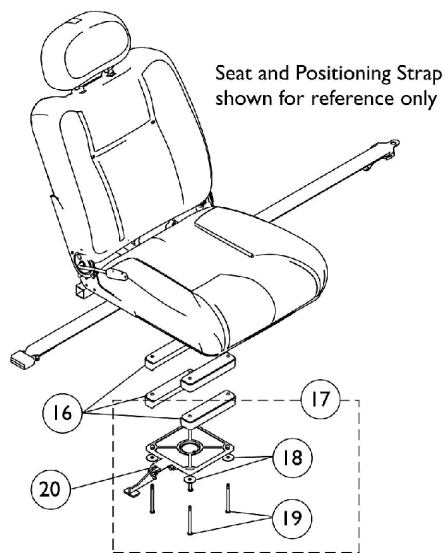
# Van Seat Frame, Mounting Hardware, and Seat Spacer Retro-fit Kit - M61

As of 7/29/05 Seat Spacers are included on all M61 model chairs.

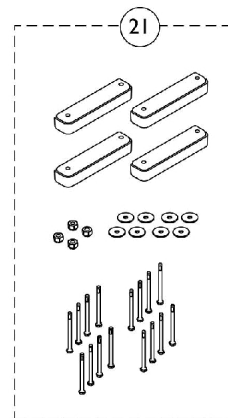
**NOTE:** If converting a wheelchair from Office Style Semi-Recline Van Seat to Semi-Recline Van Seat w/ Cushion or Semi-Recline Van Seat w/ Solid Seat Base items 1, 13, and 15 must be ordered in addition to the seat.



**All Van Seats Except Office Style**



**Office Style Van Seats**



**Van Seat  
Spacer Retro-Fit Kit**

# Van Seat Frame, Mounting Hardware, and Seat Spacer Retro-fit Kit - M61

As of 7/29/05 Seat Spacers are included on all M61 model chairs.

**NOTE: If converting a wheelchair from Office Style Semi-Recline Van Seat to Semi-Recline Van Seat w/ Cushion or Semi-Recline Van Seat w/ Solid Seat Base items 1, 13, and 15 must be ordered in addition to the seat.**

Item Number	Note	Part Number	Description	Quantity Per	
				Package	Assembly
1	A,B,H	1136487	Kit, Van Seat Mounting Hardware	1	1
2			NLA - Screw, Hex Head Cap w/ Patch (1/4-20 x 1")	1	4
3			Washer (1/4 x 23/32 x 1/16")	1	6
4			NLA - Screw, Hex Head w/ Patch (1/4-20 x 1-1/4")	1	2
5			Spacer (1/4 x 5/8 x 1/4")	1	2
6			Spacer, Coved (1/4 x 11/16 x 1/2")	1	4
7			NLA - Screw, Hex Head w/Patch (1/4-20 x 2-1/2")	1	2
8			Plug Button, Black (1")	1	2
9			Locknut (5/16-18)	1	4
10			Washer, Steel (5/16 x 1-1/4 x 1/16")	1	4
11			NLA - Screw, Hex Head (5/16-18 x 3")	1	4
12			NLA - Knob, Adjustment, Black (5/16-18 x 1-1/2")	1	1
1	A,B,I	1137262-NLA	NLA - Kit, Van Seat Mounting Hardware	1	1
2			NLA - Screw, Hex Head Cap w/ Patch (1/4-20 x 1")	1	4
3			Washer (1/4 x 23/32 x 1/16")	1	6
4			NLA - Screw, Hex Head w/ Patch (1/4-20 x 1-1/4")	1	2
5			Spacer (1/4 x 5/8 x 1/4")	1	2
6			Spacer, Coved (1/4 x 11/16 x 1/2")	1	4
7			NLA - Screw, Hex Head w/Patch (1/4-20 x 2-1/2")	1	2
8			Plug Button, Black (1")	1	2
9			Locknut (5/16-18)	1	4
10			Washer, Steel (5/16 x 1-1/4 x 1/16")	1	4
11			NLA - Screw, Hex Head (5/16-18 x 2")	1	4
12			NLA - Knob, Adjustment, Black (5/16-18 x 1-1/2")	1	1
1	A,B,J	1119577	Kit, Van Seat Mounting Hardware	1	1
2			NLA - Screw, Hex Head Cap w/ Patch (1/4-20 x 1")	1	4
3			Washer (1/4 x 23/32 x 1/16")	1	6
4			NLA - Screw, Hex Head w/ Patch (1/4-20 x 1-1/4")	1	2
5			Spacer (1/4 x 5/8 x 1/4")	1	2
6			Spacer, Coved (1/4 x 11/16 x 1/2")	1	4
7			NLA - Screw, Hex Head w/Patch (1/4-20 x 2-1/2")	1	2
8			Plug Button, Black (1")	1	2
9			Locknut (5/16-18)	1	4
10			Washer, Steel (5/16 x 1-1/4 x 1/16")	1	4
11			Screw, Hex Head w/ Patch (5/16-18 x 1")	1	4
12			NLA - Knob, Adjustment, Black (5/16-18 x 1-1/2")	1	1
13	C	1116919	Bracket, Seat Mounting, Black	1	1
13	D	1129722	Bracket, Seat Mounting, Black	1	1
14		1116413-NLA	NLA - Pivot, Seat	1	1
15		1123391	Frame, Van Seat, Black (16" W)	1	1
15		1116392	Frame, Van Seat, Black (18" W)	1	1
15		1116393	Frame, Van Seat, Black (20" W)	1	1

# Van Seat Frame, Mounting Hardware, and Seat Spacer Retro-fit Kit - M61

As of 7/29/05 Seat Spacers are included on all M61 model chairs.

**NOTE: If converting a wheelchair from Office Style Semi-Recline Van Seat to Semi-Recline Van Seat w/ Cushion or Semi-Recline Van Seat w/ Solid Seat Base items 1, 13, and 15 must be ordered in addition to the seat.**

Item Number	Note	Part Number	Description	Quantity Per	
				Package	Assembly
16		1134660	Spacer, Seat, Black	1	4
17	E,H	1136486-NLA	NLA - Kit, Van Seat Mounting Hardware - Office Style	1	1
18			Washer, Steel (5/16 x 1-1/4 x 1/16")	1	4
19			Screw, Hex Head w/ Patch (1/4-20 x 3-1/2")	1	4
17	E,I	1136493-NLA	NLA - Kit, Van Seat Mounting Hardware - Office Style	1	1
18			Washer, Steel (5/16 x 1-1/4 x 1/16")	1	4
19			NLA - Screw, Hex Head w/Patch (1/4-20 x 2-1/2")	1	4
17	E,J	1136494	Kit, Van Seat Mounting Hardware - Office Style	1	1
18			Washer, Steel (5/16 x 1-1/4 x 1/16")	1	4
19			NLA - Screw, Hex Head w/ Patch (1/4-20 x 1-1/2")	1	4
20		1116413-NLA	NLA - Pivot, Seat	1	1
21		1136490	Kit, Seat Spacer Retro-fit Kit	1	1
21			Spacer, Seat, Black	1	4
21			Screw, Hex Head w/ Patch (1/4-20 x 3-1/2")	1	4
21			NLA - Screw, Hex Head w/Patch (1/4-20 x 2-1/2")	1	4
21			Washer, Steel (5/16 x 1-1/4 x 1/16")	1	8
21			NLA - Screw, Hex Head (5/16-18 x 3")	1	4
21			NLA - Screw, Hex Head (5/16-18 x 2")	1	4
21			Locknut (5/16-18)	1	4
21			NLA - Instruction Sheet, Seat Spacer Retro-fit Kit	1	1
	K,L	1134801-NLA	NLA - Instruction Sheet, Seat Spacer Retro-fit Kit	1	1
<p>NOTE: A - Item 8, Plug Buttons, are only used in the absence of front riggings.            B - Includes items 2-12            C - Van Seats without Solid Seat Base            D - Van Seats with Solid Seat Base            E - Includes items 18 and 19            H - This kit is used on chairs that have 2 sets of seat spacers (item 16).            I - This kit is used on chairs that have 1 set of seat spacers (item 16).            J - This kit is used on chairs that do not have any seat spacers.            K - Not Shown            L - Item is no longer available from the Invacare Service Parts Department. Refer to the Invacare Website under "Product Literature Search". Enter the part number in the "Keywords" field and download a free PDF version copy.</p>					