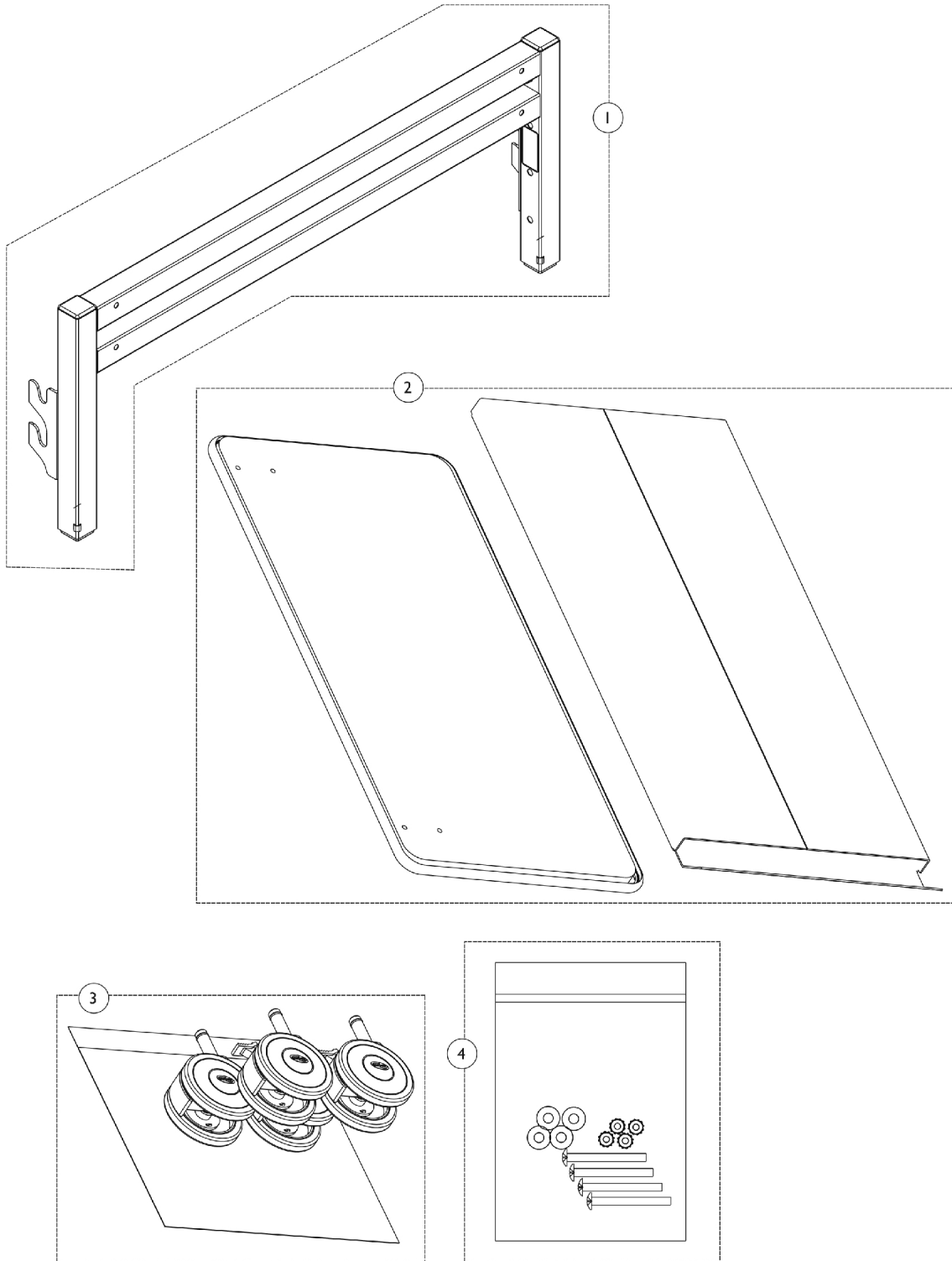


CareGuard CG5301 (After 6/30/05)



CareGuard CG5301 (After 6/30/05)

Item Number	Note	Part Number	Description	Quantity Per	
				Package	Assembly
1		1133870	Kit, Bed End	1	1
			Plug Button	1	2
			Guide, Leg	1	4
			Leg Assembly	1	2
			Spring, Torsion w/ Button	1	2
			Socket, Caster	1	2
			Leg, Inner, Brown	1	2
			2		1135954
3	A	1123550	Package, Caster (2-w/o Brake; 2-w/ Brake)	1	1
	B	1123549	Caster Assembly, Swivel w/o Brake (3")	1	2
4	B	1123551	Caster Assembly, Swivel w/ Brake (3")	1	2
		1135953	Kit, Headboard Hardware	1	1
			Nut, Keps (1/4-20)	1	4
			Washer (13/32 x 13/16 x 1/16)	1	4
			Screw, Phillips Truss Head (1/4-20 x 2-1/2")	1	4
NOTE: A - Package includes Non-Locking Caster (2) and Locking Caster (2). B - Not Shown individually on the illustration.					