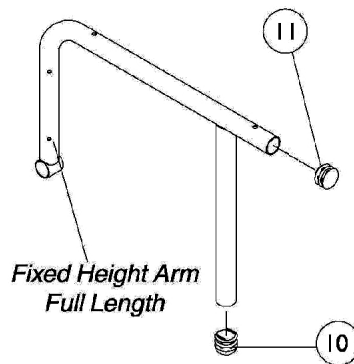
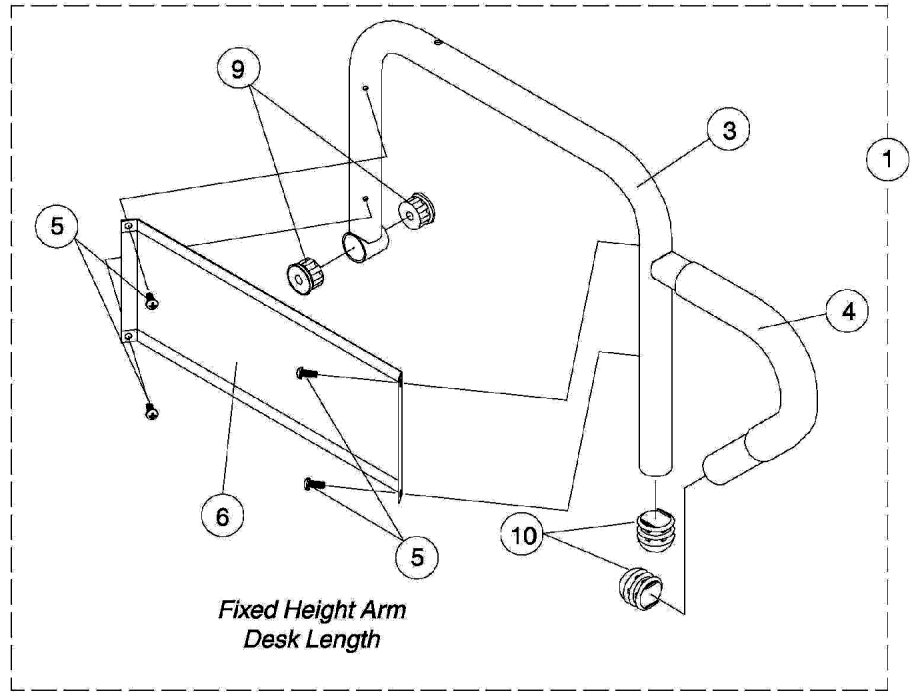
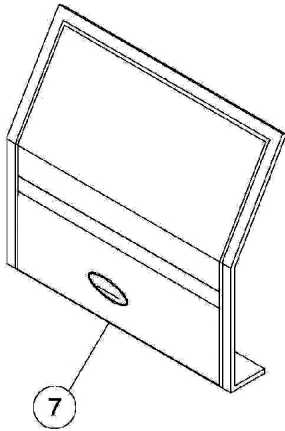
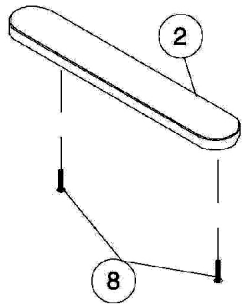


Fixed Height Arms



Fixed Height Arms

| Item Number | Note | Part Number | Description | Quantity Per | |
|-------------|------|--------------------|---|--------------|----------|
| | | | | Package | Assembly |
| 1 | B | See Chart | #1 Arms Less Pad - 16"-19" Deep Seat Frames | 1 | 1 |
| 1 | B | See Chart | #1 Arms Less Pad - 20" and Deeper Seat Frames | 1 | 1 |
| 2 | A | 8881015932-NL A | NLA - Pad, Arm, Vinyl, Full Length - Right (14" L x 2" W) | 1 | 1 |
| 2 | A | 8881015933-NL A | NLA - Pad, Arm, Vinyl, Full Length - Left (14" L x 2" W) | 1 | 1 |
| 2 | A | 8881011811-NL A | NLA - Pad, Arm, Vinyl, Desk Length (9" L x 2" W) | 1 | 1 |
| 3 | | 1068564 | Tube, Arm, Desk Length, Black - Right (16-19" D) | 1 | 1 |
| 3 | | 1068565-NLA | NLA - Tube, Arm, Desk Length, Black - Left (16-19" D) | 1 | 1 |
| 3 | B | 1068414-NLA | NLA - Tube, Arm, Desk Length, Long, Black - Right (20" and Deeper) | 1 | 1 |
| 3 | B | 1068415-NLA | NLA - Tube, Arm, Desk Length, Long, Black - Left (20" and Deeper) | 1 | 1 |
| 3 | | 1068490 | Tube, Arm, Full Length, Black - Right (16-19"D) | 1 | 1 |
| 3 | | 1068491-NLA | NLA - Tube, Arm, Full Length, Black - Left (16 - 19"D) | 1 | 1 |
| 3 | B | 1068473-NLA | NLA - Tube, Arm, Full Length, Long, Black - Right (20" and Deeper) | 1 | 1 |
| 3 | B | 1068474-NLA | NLA - Tube, Arm, Full Length, Long, Black - Left (20" and Deeper) | 1 | 1 |
| 4 | | 1032244 | Grip, Foam Hand (9" L) | 1 | 1 |
| 5 | | 1025729 | Screw, Phillips Pan Head Tap (#8-32 x 3/8") | 1 | 4 |
| 6 | | 1035472-NLA | NLA - Guard, Clothing, Desk Length | 1 | 1 |
| 6 | | 1044572-NLA | NLA - Guard, Clothing, Full Length (16 - 19" D) | 1 | 1 |
| 6 | B | 1044005-NLA | NLA - Guard, Clothing, Full Length (20" and Deeper) | 1 | 1 |
| 7 | | 1035065 | Cover, Clothing Guard w/ Pocket, FXDESK & ADJFULL/ADJDESK | 1 | 1 |
| 7 | B | 1044588 | Cover, Clothing Guard with Pocket Fixed Height Full Length (20" and Deeper) | 1 | 1 |
| 8 | | 1055949 | Package, Screw, Phillips Pan Head (#10-32 x 1-3/8") | 2 | 1 |
| 9 | | 1065936 | Plug, Pivot | 1 | 2 |
| 10 | | 1067734 | Plug Button, Black (5/8") | 1 | 2 |
| 11 | | 1027095 | Plug Button, Black (7/8") | 1 | 1 |

NOTE: A - Specify U67 black upholstery color when ordering.
 B - The ADJASBA seat frame for 19-22" depths must use the 16-19" deep arms only.

#1 Arms Less Pads

16"-19" Deep Seat Frames

| Arm Style | Right | Left |
|-------------|-------------|-------------|
| Desk Length | 1068566-NLA | 1068567-NLA |
| Full Length | 1068559-NLA | 1068560-NLA |

Fixed Height Arms

#1 Arms Less Pad

20" and Deeper Seat Frames

| Arm Style | Right | Left |
|-------------|-------------|-------------|
| Desk Length | 1068540-NLA | 1068541-NLA |
| Full Length | 1068528-NLA | 1068529-NLA |