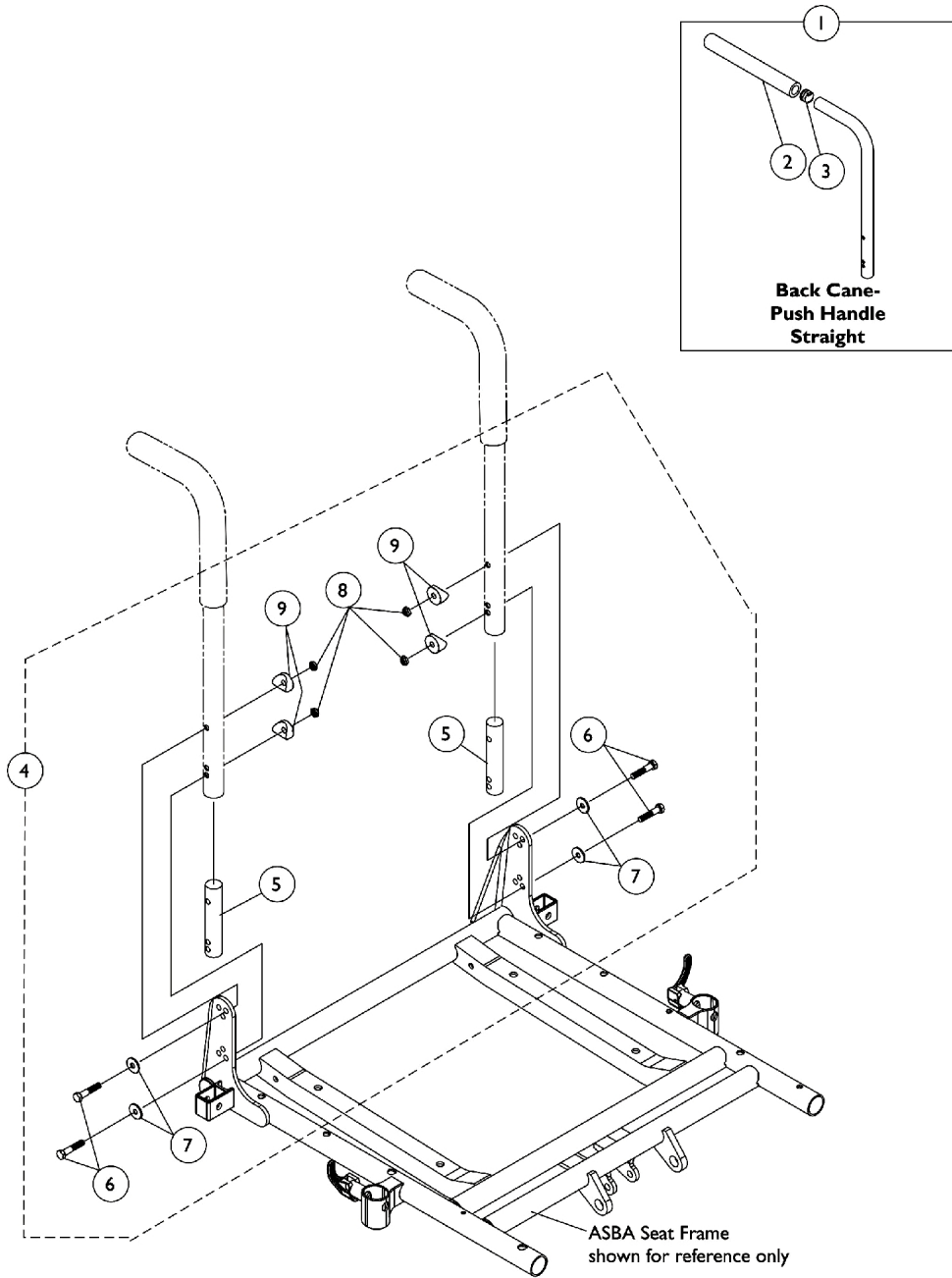


Back Canes and Attaching Hardware

ASBA Seats For (TDX Before 7/5/05) (M71 Before 8/8/05) (M91 Before 10/4/05)

NOTE: Spreader bars are used for the Back Cane Only Option to mount the headrest support assembly.
See "Accessories, Headrest Support Assembly for Back Cane Only Option" page.



Back Canes and Attaching Hardware

ASBA Seats For (TDX Before 7/5/05) (M71 Before 8/8/05) (M91 Before 10/4/05)

**NOTE: Spreader bars are used for the Back Cane Only Option to mount the headrest support assembly.
See "Accessories, Headrest Support Assembly for Back Cane Only Option" page.**

Item Number	Note	Part Number	Description	Quantity Per	
				Package	Assembly
1		See Chart	#2 Back Cane Assemblies For User Weight Under 275 lbs.	1	2
1		See Chart	#2 Back Cane Assemblies For User Weights Of 276 Lbs. - 375 Lbs.	1	2
2		1135506	Package, Foam Hand Grip (9" L)	10	1
3		1134426	Package, Plug Button, Black (3/4")	10	1
4	A	1106554-NLA	NLA - Kit, Back Cane Attaching Hardware	2	1
5			Insert, Non-Threaded Back Cane (For Back Heights 20" and Lower)	1	2
6			Screw, Hex Head (1/4-20 x 1-5/8")	1	4
7			Washer (1/4 x 23/32 x 1/16")	1	4
8			Locknut (1/4-20)	1	4
9			Spacer, Coved (1/4 x 11/16 x 1/2")	1	4
4	B	1106555-NLA	NLA - Kit, Back Cane Attaching Hardware	2	1
5			NLA - Insert, Non-Threaded Back Cane (For Back Heights 21" and Higher)	1	2
6			Screw, Hex Head (1/4-20 x 1-5/8")	1	4
7			Washer (1/4 x 23/32 x 1/16")	1	4
8			Locknut (1/4-20)	1	4
9			Spacer, Coved (1/4 x 11/16 x 1/2")	1	4
4	C	1128392	NLA - Kit, Back Cane Attaching Hardware	2	1
6			Screw, Hex Head (1/4-20 x 1-5/8")	1	4
7			Washer (1/4 x 23/32 x 1/16")	1	4
8			Locknut (1/4-20)	1	4
9			Spacer, Coved (1/4 x 11/16 x 1/2")	1	4

NOTE: A - Includes items 5-9. Used for user weight under 275 lbs. and back heights 20" and lower.
 B - Includes items 5-9. Used for user weight under 275 lbs. and back heights 21" and above.
 C - Includes items 6-9. Used for user weight under 375 lbs. and all back heights.

#2 Back Cane Assemblies For User Weight Under 275 lbs.

16" High	17" High	18" High	19" High	20-24" High
1127424-NLA	1127425-NLA	1127426-NLA	1127427-NLA	1127428-NLA

NOTE: Back Cane Assemblies include Foam Grips and Plug Buttons where shown

#2 Back Cane Assemblies For User Weights Of 276 Lbs. - 375 Lbs.

16" High	17" High	18" High	19" High	20-24" High
1127067-NLA	1127068-NLA	1127069-NLA	1127070-NLA	1127071-NLA

Back Cane and Attaching Hardware

ASBA Seats For (TDX Before 7/5/05) (M71 Before 8/8/05) (M91 Before 10/4/05)

**NOTE: Spreader bars are used for the Back Cane Only Option to mount the headrest support assembly.
See "Accessories, Headrest Support Assembly for Back Cane Only Option" page.**

NOTE: Back Cane Assemblies include Foam Grips and Plug Buttons where shown