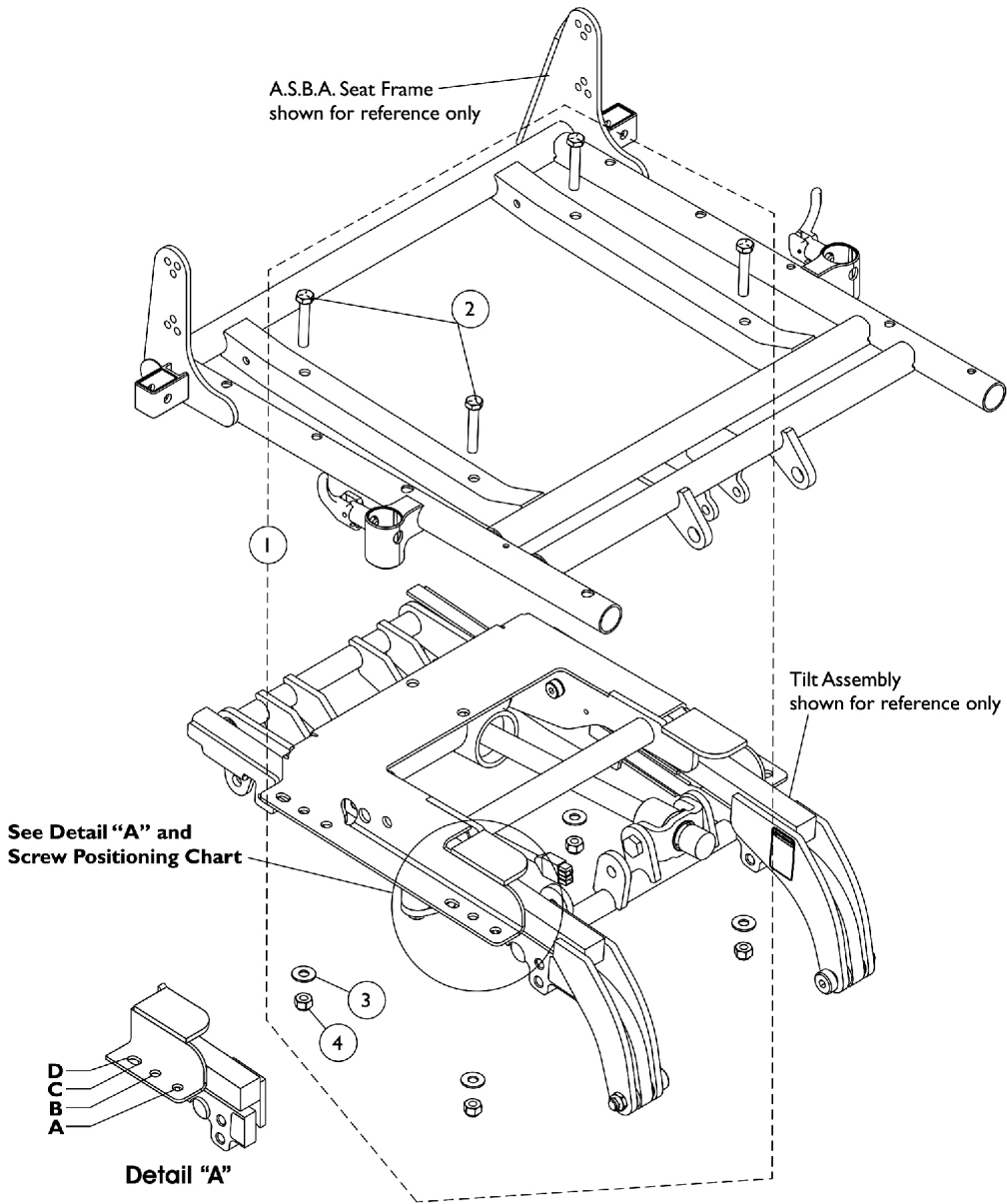


ASBA Seat Frame Mounting Hardware

(TDX Before 7/5/05) (M71 Before 8/8/05) (M91 Before 10/4/05)



Screw Positioning Chart

Model	Depth	Hole Position
M71	16-17"	B
	18-20"	D
M91	16-17"	B
	18-21"	C
	22"	D
TDX	16-18"	B
	19-22"	D

ASBA Seat Frame Mounting Hardware

(TDX Before 7/5/05) (M71 Before 8/8/05) (M91 Before 10/4/05)

Item Number	Note	Part Number	Description	Quantity Per	
				Package	Assembly
1	A	1126991-NLA	NLA - Kit, A.S.B.A. Seat Frame Mounting	1	1
2			NLA - Screw, Hex Head (5/16-18 x 1-3/4")	1	4
3			Washer, Steel (5/16 x 3/4 x 1/16")	1	4
4			Locknut (5/16-18)	1	4
NOTE: A - Includes items 2-4					