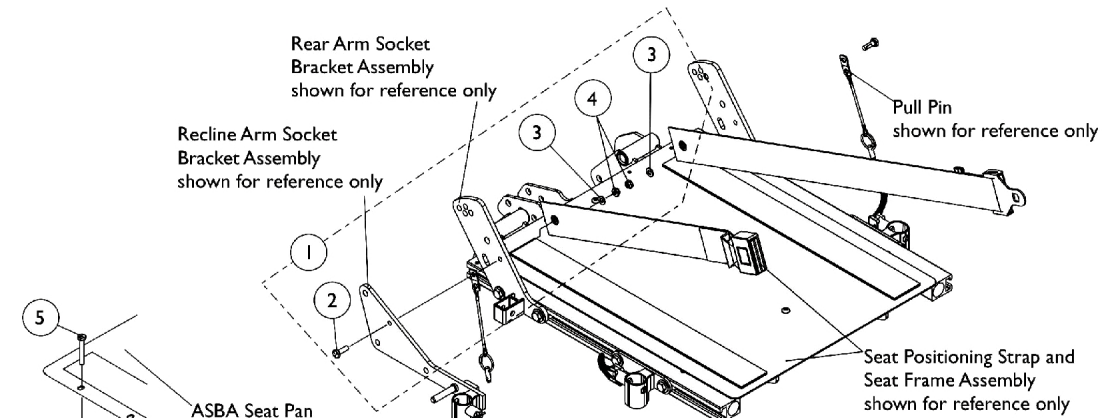
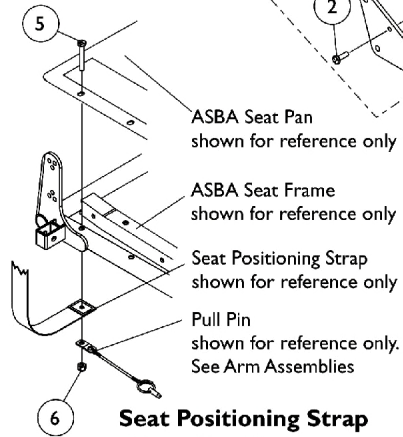


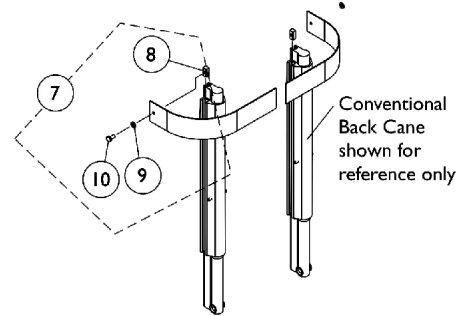
Seat and Chest Positioning Straps Mounting Hardware



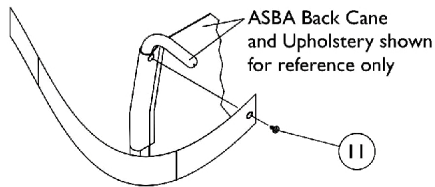
**Seat Positioning Strap Mounting Hardware
(For Conventional/Contoura and ADJASBA Seating)**



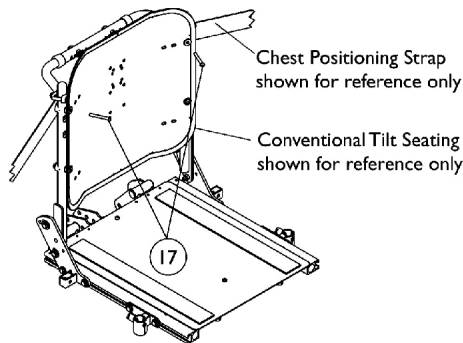
**Seat Positioning Strap Mounting Hardware
(For ASBA Seating)**



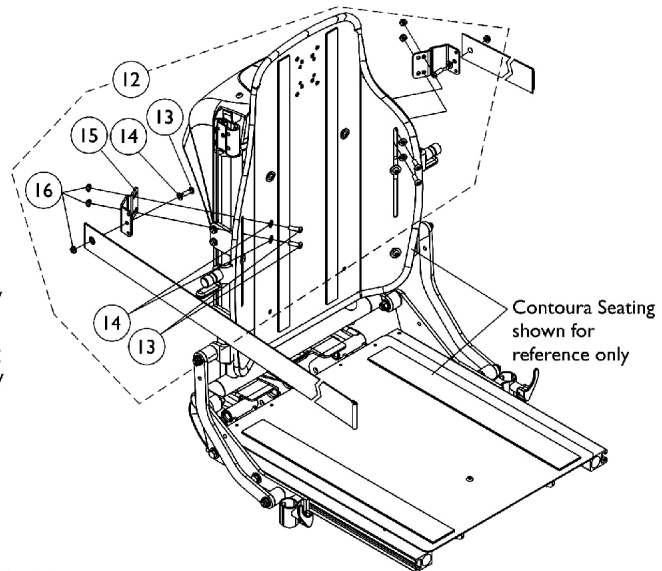
**Chest Positioning Strap Mounting Hardware
(For Conventional Recline)**



**Chest Positioning Strap Mounting Hardware
(For ASBA/ADJASBA Seating)**



**Chest Positioning Strap Mounting Hardware
(For Solid Straight Back Canes)**



**Chest Positioning Strap Mounting Hardware
(For Contoura Seating)**

Seat and Chest Positioning Straps Mounting Hardware

Item Number	Note	Part Number	Description	Quantity Per	
				Package	Assembly
1	A	1124385	Kit, Seat Positioning Strap Mounting Hardware (both LT & RT sides)	1	1
2			Screw, Hex Head w/ Patch (1/4-20 x 3/4")	1	2
3			Washer (1/4 x 1/2 x 1/16")	1	2
4			Locknut (1/4-20)	1	2
5		1037610	Screw, Hex Head (1/4-20 x 1-5/8")	1	2
6		1025736	Locknut (1/4-20)	1	2
7	B	1090212	Kit, Chest Positioning Strap Mounting Hardware For Conventional Seating	1	1
8			T-Nut (1/4-20)	1	2
9			Washer (1/4 x 23/32 x 1/16")	1	2
10			Screw, Hex Head w/ Patch (1/4-20 x 1/2")	1	2
11	C	1026298	Package, Screw with Washer (#10 x 7/8") (Pair)	2	1
12	D	1125798	Kit, Chest Positioning Strap's Mounting Hardware For Contoura Seating (both LT & RT sides)	1	1
13			Screw, Socket Button (1/4-20 x 3/4")	1	6
14			Washer (1/4 x 1/2 x 1/16")	1	6
15			Bracket, Positioning Strap, Black	1	2
16			Locknut (1/4-20)	1	6
17	E	1128732-NLA	NLA - Package, Screw, Socket Button Head (1/4-20 x 2") (Pair)	2	1

NOTE: A - Includes items 2-4
 B - Includes items 8-10
 C - The back upholstery and chest positioning strap share the same mounting hardware
 D - Includes items 13-16
 E - Used for mounting chest positioning straps to solid straight back canes