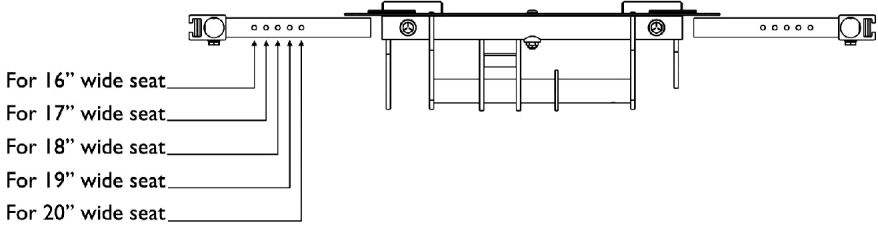
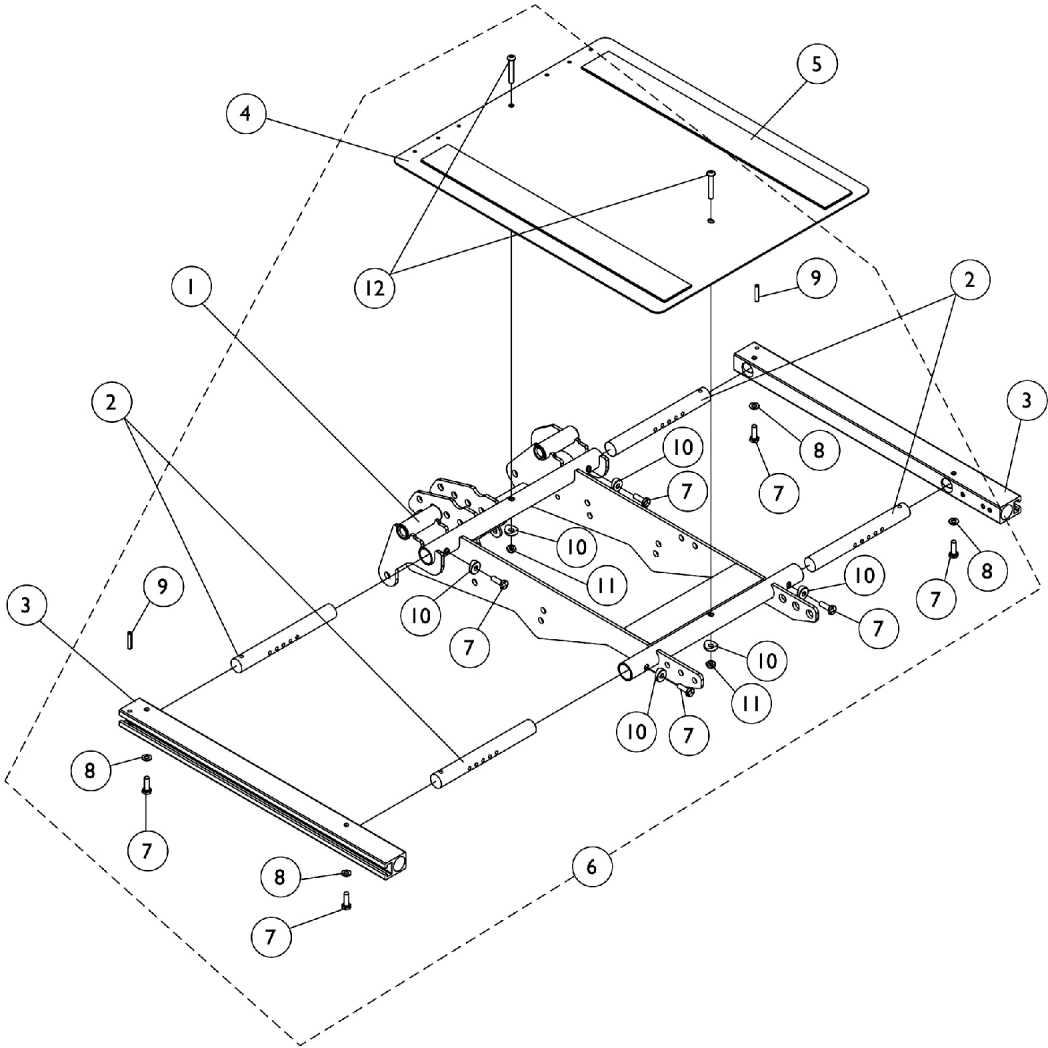


Seat Frame, Seat Pan and Hardware

(16"-20" Wide x 16"-22" Deep Conventional)
and (16", 18", 20" Wide x 16"-22" Deep Contoura) Seating



Seat Frame Width Settings

Seat Frame, Seat Pan and Hardware
(16"-20" Wide x 16"-22" Deep Conventional)
and (16", 18", 20" Wide x 16"-22" Deep Contoura) Seating

Item Number	Note	Part Number	Description	Quantity Per	
				Package	Assembly
1		1122676-NLA	NLA - Frame, Center Seat, Black For Conventional and Contoura Seating	1	1
2		1122475	Crossbar, Seat Frame (16" - 20" W)	1	4
3	A	1122647	Rail, Seat Frame (16 - 20" D For Formula TRE and 16 - 19" D For ADJASBA)	1	2
3	B	1122677	Rail, Seat Frame (20 - 22" D Formula TRE) (19 - 22" D ADJASBA)	1	2
4	A	1124386	Pan, Seat with Hook and Loop Fasteners (16 - 20" W) x (16 - 20" D For Formula TRE) & (16 - 19" D For ADJASBA)	1	1
4	B	1124666	Pan, Seat, with Hook and Loop Fasteners (16 - 20" W) x (20 - 22" D For Formula TRE) & (19 - 22" D For ADJASBA)	1	1
5	A	1043082	Hook Fastener with Adhesive Back (2" W x 18" L)	1	2
5	A	1044580	Loop Fastener with Adhesive Back (2" W x 18" L)	1	2
5	B	1043084	Hook Fastener with Adhesive back (2" W x 22" L)	1	2
5	B	1044584	Loop Fastener with Adhesive back (2" W x 22" L)	1	2
6	D,E	1125737-NLA	NLA - Kit, Seat Frame Assembly Hardware	1	1
7			Screw, Hex Head w/ Patch (1/4-20 x 3/4")	1	8
8			Washer (1/4 x 1/2 x 1/16")	1	4
9			NLA - Pin, Roll (3/16 x 1")	1	2
10			Spacer, Coved (1/4 x 11/16 x 1/2")	1	6
11			Locknut (1/4-20)	1	2
12			Screw, Socket Button Head (1/4-20 x 1-1/2")	1	2
12			Screw, Socket Button (1/4-20 x 3/4")	1	2
<p>NOTE: A - For 16"-20" deep Conventional and 16"-18" deep Contoura Seating B - For 20"-22" deep Conventional and 19"-21" deep Contoura Seating D - Includes items 7-12 E - After 7/4/05 Threaded Inserts were added to the Center Seat Frame. Items 10 and 11 were no longer needed for item 12 screw. Item 12 was shortened to 3/4" long.</p>					