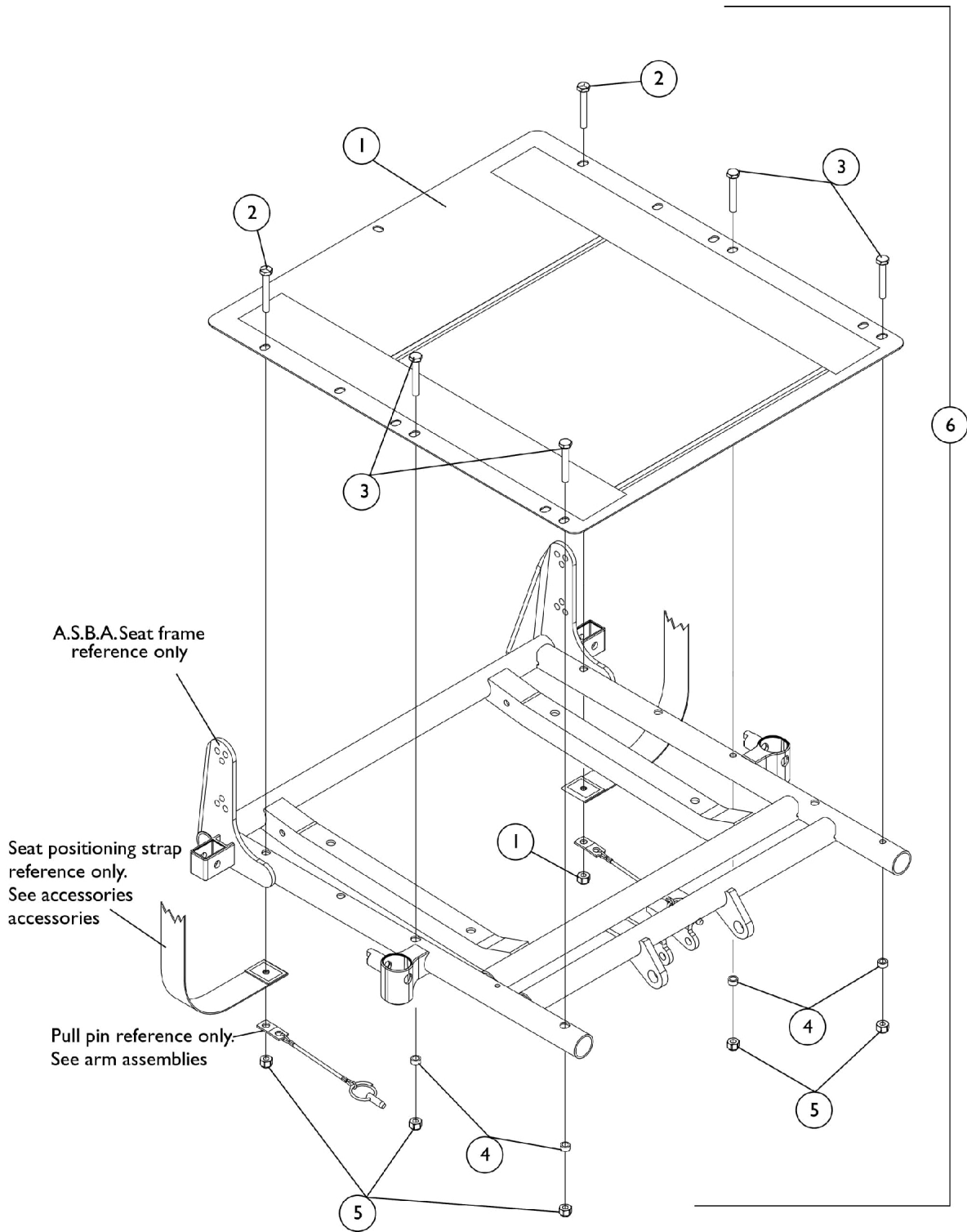


# Seat Pan and Mounting Hardware

Elevate Only For ASBA Seating (Before 7/5/05)



**Seat Pan and Mounting Hardware**  
**Elevate Only For ASBA Seating (Before 7/5/05)**

**#1 Seat Pan**  
**16" Deep - 18" Deep**

Chair Width	16" Deep	17" Deep	18" Deep
16" W	1066013-NLA	1066024	1066035-NLA
17" W	1066014-NLA	1066025-NLA	1066036-NLA
18" W	1066015-NLA	1066026	1066037-NLA
19" W	1066016-NLA	1066027-NLA	1066038-NLA
20" W	1066017-NLA	1066028-NLA	1066039-NLA
21" W	1066018-NLA	1066029-NLA	1066040-NLA
22" W	1066019-NLA	1066030-NLA	1066041-NLA

**#1 Seat Pan**  
**19" Deep - 22" Deep**

Chair Width	19" Deep	20" Deep	21" Deep	22" Deep
16" W	1066046-NLA	1066057-NLA	1066068-NLA	1066079-NLA
17" W	1066047-NLA	1066058-NLA	1066069-NLA	1066080-NLA
18" W	1066048-NLA	1066059-NLA	1066070-NLA	1066081-NLA
19" W	1066049-NLA	1066060	1066071-NLA	1066082-NLA
20" W	1066050-NLA	1066061-NLA	1066072-NLA	1066083-NLA
21" W	1066051-NLA	1066062-NLA	1066073-NLA	1066084-NLA
22" W	1066052-NLA	1066063-NLA	1066074-NLA	1066085-NLA

## Seat Pan and Mounting Hardware

### Elevate Only For ASBA Seating (Before 7/5/05)

Item Number	Note	Part Number	Description	Quantity Per	
				Package	Assembly
1		See Chart	#1 Seat Pan 16"-18" Depth	1	1
1		See Chart	#1 Seat Pan 19"-22" Depth	1	1
6		1070459-NLA	NLA - Kit, Seat Pan Mounting Hardware	1	1
2			Screw, Hex Head (1/4-20 x 1-5/8")	1	2
3			Screw, Hex Head (1/4-20 x 1-1/2")	1	4
4			NLA - Spacer (1/4 x 3/8 x 3/16")	1	4
5			Locknut (1/4-20)	1	6