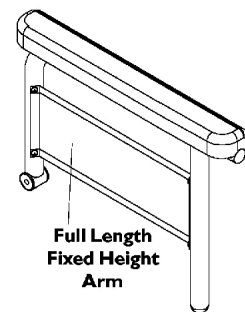
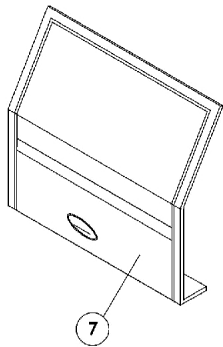
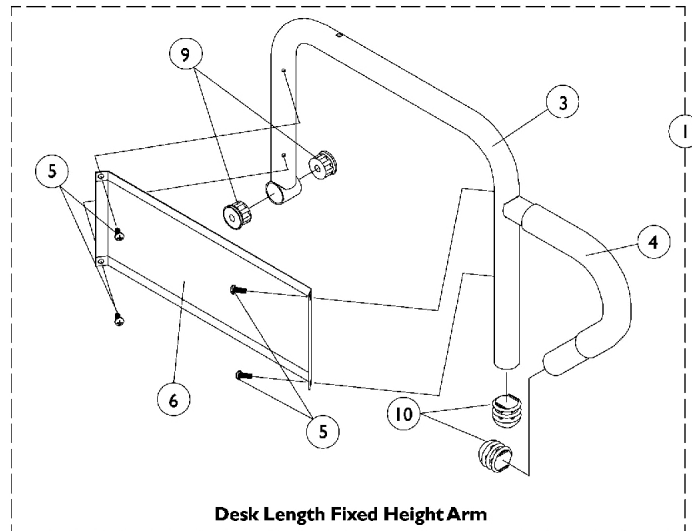
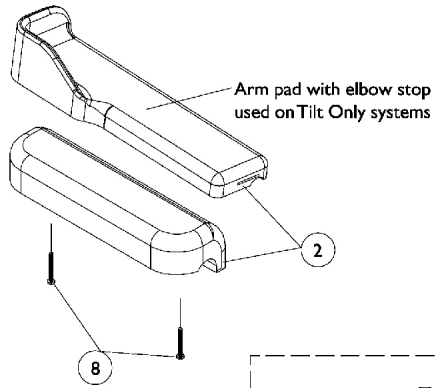


# Fixed Height Arms without Mounting Hardware

## Elevate Only or Tilt Seating



# Fixed Height Arms without Mounting Hardware

## Elevate Only or Tilt Seating

### #1 Arms Less Pad

#### 16-19" Deep Seat Frames

Arm Style	Right	Left
Desk Length	1068566-NLA	1068567-NLA
Full Length	1068559-NLA	1068560-NLA

### #1 Arms Less Pad

#### 20" and Deeper Seat Frames

Arm Style	Right	Left
Desk Length	1068540-NLA	1068541-NLA
Full Length	1068528-NLA	1068529-NLA

## Fixed Height Arms without Mounting Hardware Elevate Only or Tilt Seating

Item Number	Note	Part Number	Description	Quantity Per	
				Package	Assembly
1		See Chart	Arms Less Pad, 16-19" Deep Seat Frames	1	1
1	A	See Chart	Arms Less Pad, 20" and Deeper Seat Frames	1	1
2	C	1117328	Kit, Arm Pad w/ Screws, Full Length, Urethane Waterfall, Black (13" L x 2-5/8" W)	1	1
2		1110818	Kit, Arm Pad w/ Screws, Full Length, Urethane Waterfall, Black (13" L x 2-5/8" W) (Pair)	2	1
2	C	1117327	Kit, Arm Pad w/ Screws, Desk Length, Urethane Waterfall, Black (9" L x 2-5/8" W)	1	1
2		1110817	Kit, Arm Pad w/ Screws, Desk Length, Urethane Waterfall, Black (9" L x 2-5/8" W) (Pair)	2	1
2	B	1082910	Pad, Arm w/ Elbow Stop, Desk Length, Urethane, Black - Right (13" L x 3" W)	1	1
2	B	1082911	Pad, Arm w/ Elbow Stop, Desk Length, Urethane, Black - Left (13" L x 3" W)	1	1
2	B	1090190	Kit, Arm Pad w/ Screws and Elbow Stop, Desk Length, Urethane, Black (13" L x 3" W) (Pair)	2	1
2	B	1082912	Pad, Arm w/ Elbow Stop, Full Length, Urethane, Black - Right (17" L x 3" W)	1	1
2	B	1082913	Pad, Arm w/ Elbow Stop, Full Length, Urethane, Black - Left (17" L x 3" W)	1	1
2	B	1090191	Kit, Arm Pad w/ Screws and Elbow Stop, Full Length, Urethane, Black (17" L x 3" W) (Pair)	2	1
3		1068564	Tube, Arm, Desk Length, Black - Right (16-19" D)	1	1
3		1068565-NLA	NLA - Tube, Arm, Desk Length, Black - Left (16-19" D)	1	1
3	A	1068414-NLA	NLA - Tube, Arm, Desk Length, Long, Black - Right (20" and Deeper)	1	1
3	A	1068415-NLA	NLA - Tube, Arm, Desk Length, Long, Black - Left (20" and Deeper)	1	1
3		1068490	Tube, Arm, Full Length, Black - Right (16-19"D)	1	1
3		1068491-NLA	NLA - Tube, Arm, Full Length, Black - Left (16 - 19"D)	1	1
3	A	1068473-NLA	NLA - Tube, Arm, Full Length, Long, Black - Right (20" and Deeper)	1	1
3	A	1068474-NLA	NLA - Tube, Arm, Full Length, Long, Black - Left (20" and Deeper)	1	1
4		1032244	Grip, Foam Hand (9" L)	1	1
5		1025729	Screw, Phillips Pan Head Tap (#8-32 x 3/8")	1	4
6		1035472-NLA	NLA - Guard, Clothing, Desk Length	1	1
6		1044572-NLA	NLA - Guard, Clothing, Full Length (16 - 19" D)	1	1
6	A	1044005-NLA	NLA - Guard, Clothing, Full Length (20" and Deeper)	1	1
7		1035065	Cover, Clothing Guard w/ Pocket, FXDESK & ADJFULL/ADJDESK	1	1
7	A	1044588	Cover, Clothing Guard with Pocket Fixed Height Full Length (20" and Deeper)	1	1
8		1094270-NLA	NLA - Package, Screw, Phillips Pan Head (#10-32 x 1-1/4")	2	1

## Fixed Height Arms without Mounting Hardware Elevate Only or Tilt Seating

Item Number	Note	Part Number	Description	Quantity Per	
				Package	Assembly
9		1065936	Plug, Pivot	1	2
10		1067734	Plug Button, Black (5/8")	1	2
NOTE: A - The ADJASBA seat frame for 19-22" depths including the Tilt Only System must use the 16-19" deep arms only. B - Arm Pads w/ Elbow Stop is used for Formula Tilt Only systems C - After 7/9/07 Invacare recommends ordering armpads in pairs to assure uniform appearance on chair					