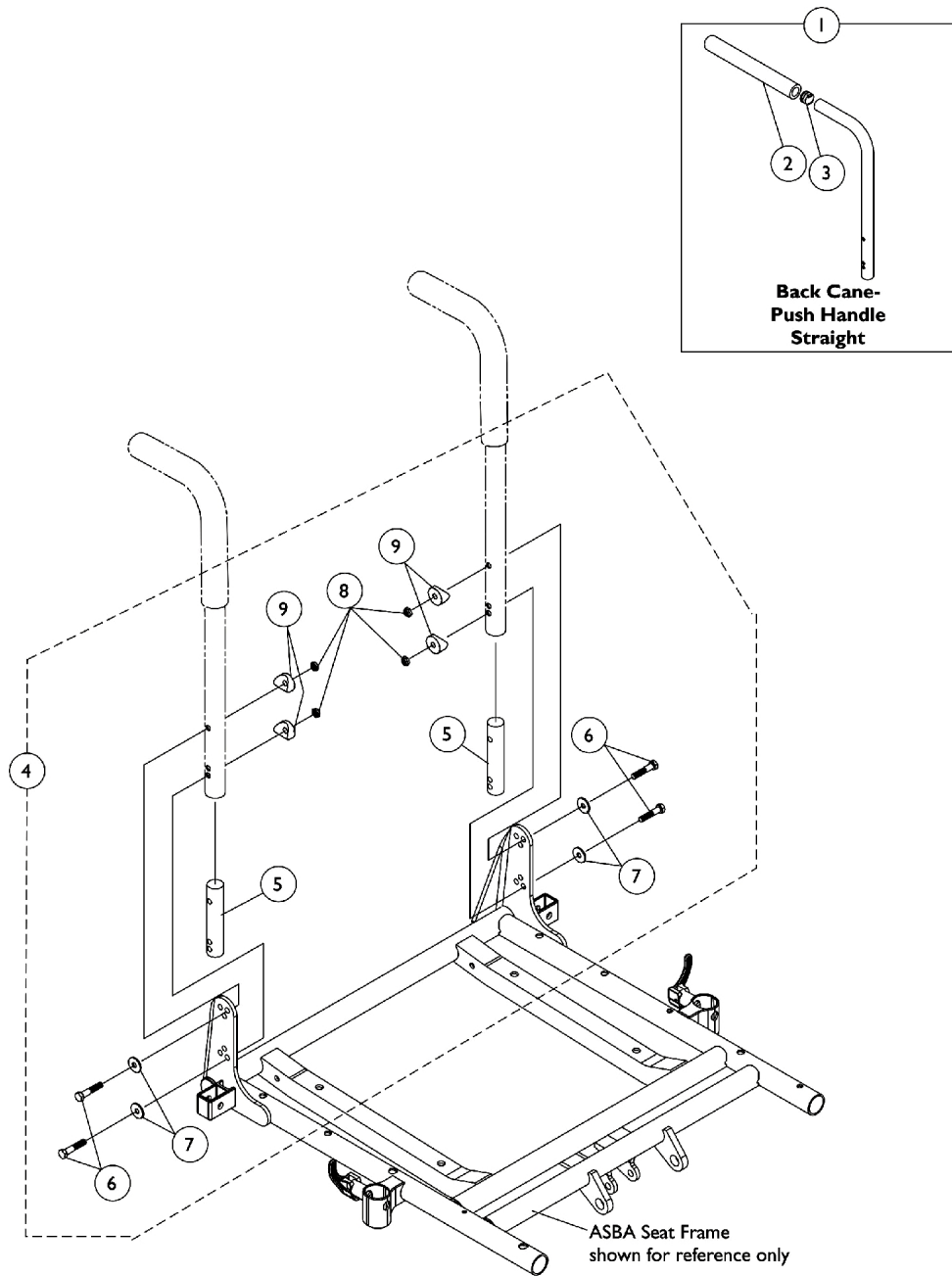


Back Canes and Attaching Hardware For ASBA Seats (Before 7/5/05)

NOTE: Spreader bars are used for the Back Cane Only Option to mount the headrest support assembly.
See "Accessories, Headrest Support Assembly for Back Cane Only Option" page.



Back Canes and Attaching Hardware For ASBA Seats (Before 7/5/05)

**NOTE: Spreader bars are used for the Back Cane Only Option to mount the headrest support assembly.
See "Accessories, Headrest Support Assembly for Back Cane Only Option" page.**

| Item Number | Note | Part Number | Description | Quantity Per | |
|-------------|------|-------------|---|--------------|----------|
| | | | | Package | Assembly |
| 1 | | See Chart | #2 Back Cane Assemblies | 1 | 2 |
| 2 | | 1135506 | Package, Foam Hand Grip (9" L) | 10 | 1 |
| 3 | | 1134426 | Package, Plug Button, Black (3/4") | 10 | 1 |
| 4 | A | 1106554-NLA | NLA - Kit, Back Cane Attaching Hardware | 2 | 1 |
| 5 | | | Insert, Non-Threaded Back Cane (For Back Heights 20" and Lower) | 1 | 2 |
| 6 | | | Screw, Hex Head (1/4-20 x 1-5/8") | 1 | 4 |
| 7 | | | Washer (1/4 x 23/32 x 1/16") | 1 | 4 |
| 8 | | | Locknut (1/4-20) | 1 | 4 |
| 9 | | | Spacer, Coved (1/4 x 11/16 x 1/2") | 1 | 4 |
| 4 | B | 1106555-NLA | NLA - Kit, Back Cane Attaching Hardware | 2 | 1 |
| 5 | | | NLA - Insert, Non-Threaded Back Cane (For Back Heights 21" and Higher) | 1 | 2 |
| 6 | | | Screw, Hex Head (1/4-20 x 1-5/8") | 1 | 4 |
| 7 | | | Washer (1/4 x 23/32 x 1/16") | 1 | 4 |
| 8 | | | Locknut (1/4-20) | 1 | 4 |
| 9 | | | Spacer, Coved (1/4 x 11/16 x 1/2") | 1 | 4 |

NOTE: A - Includes items 5-9 and used for 16-20" high back canes
B - Includes items 5-9 and used for 21-24" high back canes

#2 Back Cane Assemblies

| 16" High | 17" High | 18" High | 19" High | 20-24" High |
|----------|----------|----------|----------|-------------|
| 1048558 | 1048559 | 1048560 | 1048561 | 1048562 |

NOTE: Back Cane Assemblies include Foam Grips and Plug Buttons where shown