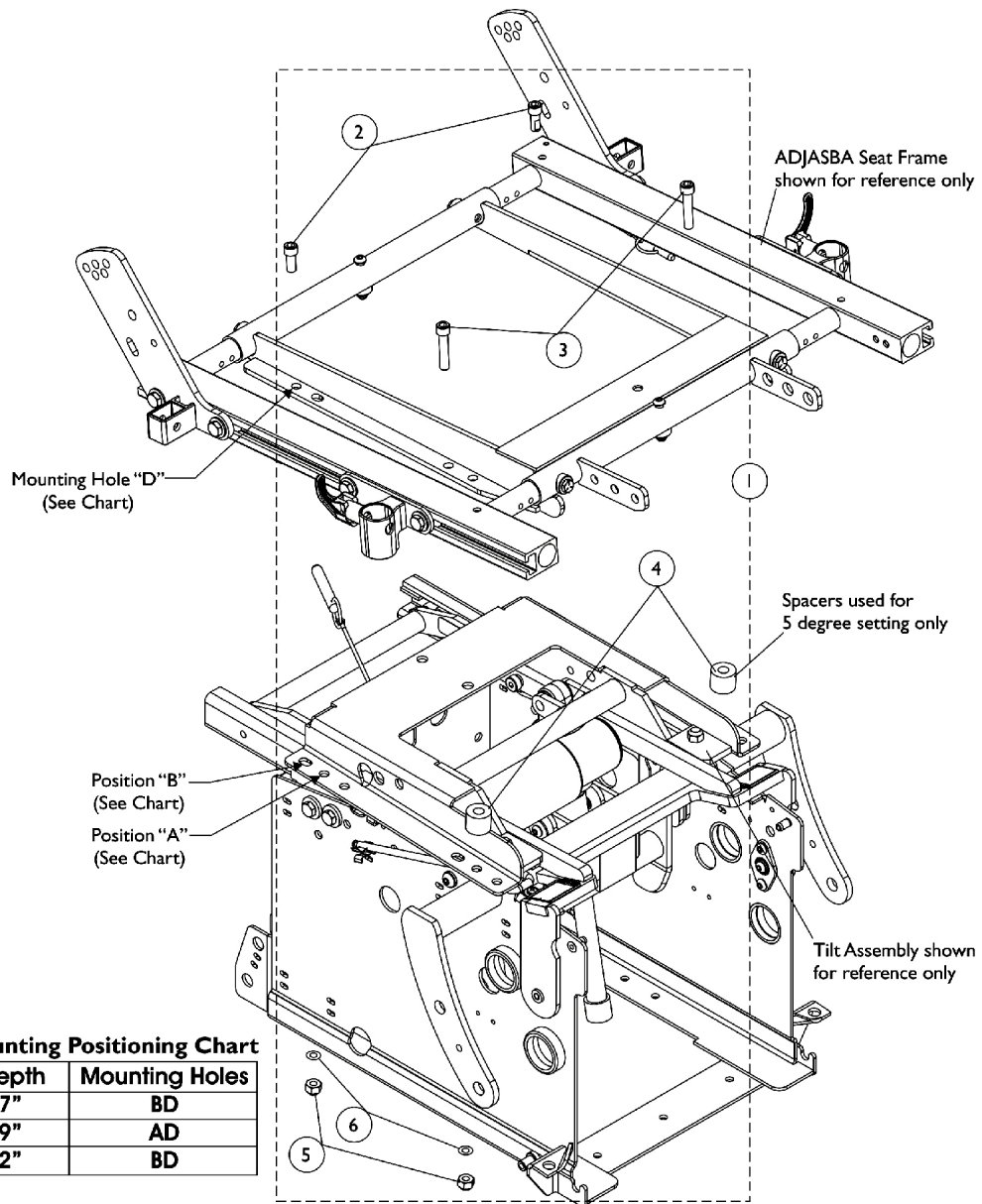


# ADJASBA Seat Frame Mounting Hardware (After 7/4/05)



**Seat Mounting Positioning Chart**

Seat Depth	Mounting Holes
16-17"	BD
18-19"	AD
20-22"	BD

## ADJASBA Seat Frame Mounting Hardware (After 7/4/05)

Item Number	Note	Part Number	Description	Quantity Per	
				Package	Assembly
1	A	1133806-NLA	NLA - Kit, ADJASBA Seat Mounting Hardware, 0 Degree Setting	1	1
2			NLA - Screw, Socket Head (5/16-18 x 3/4")	1	4
5			Locknut (5/16-18)	1	4
6			Washer, Steel (5/16 x 3/4 x 1/16")	1	4
1	B	1133810-NLA	NLA - Kit, ADJASBA Seat Mounting Hardware, 5 Degree Setting	1	1
2			NLA - Screw, Socket Head (5/16-18 x 3/4")	1	2
3			Screw, Socket Head (5/16-18 x 1-1/2")	1	2
4			NLA - Spacer (3/8 x 7/8 x 11/16")	1	4
5			Locknut (5/16-18)	1	4
6			Washer, Steel (5/16 x 3/4 x 1/16")	1	4
NOTE: A - Includes items 2, 5 and 6 B - Includes items 2-6					