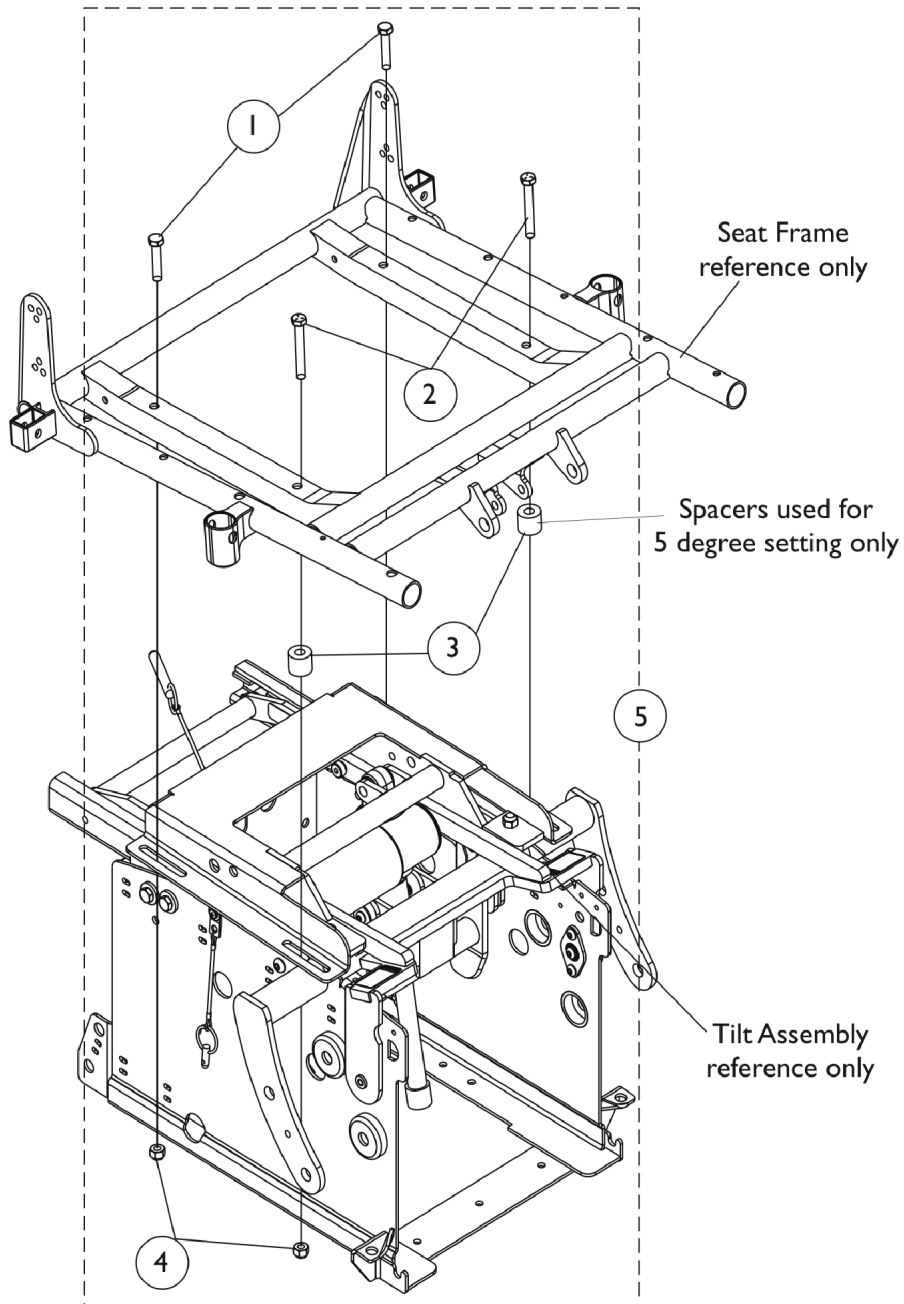


ASBA Seat Frame Mounting Hardware (Before 7/5/05)



ASBA Seat Frame Mounting Hardware (Before 7/5/05)

Item Number	Note	Part Number	Description	Quantity Per	
				Package	Assembly
1	A	1116983-NLA	NLA - Screw, Hex Head w/ Patch (5/16-18 x 1-1/2")	1	4
2	B	1070412-NLA	NLA - Screw, Hex Head (5/16-18 x 2-1/4")	1	2
2	B	1116983-NLA	NLA - Screw, Hex Head w/ Patch (5/16-18 x 1-1/2")	1	2
3	C	1087640-NLA	NLA - Spacer (3/8 x 7/8 x 11/16")	1	2
4		1026158	Locknut (5/16-18)	1	4
5	D	1120243-NLA	NLA - Hardware, ASBA Seat Mounting (0 Degree Setting)	1	1
5	E	1120244-NLA	NLA - ASBA Seat Mounting Hardware, 5 Degree Setting	1	1

NOTE: A - Only 2 ea. Screws required for chairs with 5 degree setting.
 B - Part no. 1084565 used on chairs with 5 degree setting. Part no. 1116983 used on chairs with 0 degree setting.
 C - Used on chairs with 5 degree setting only.
 D - Includes 4 ea. of items 1 and 4.
 E - Includes items 1-4