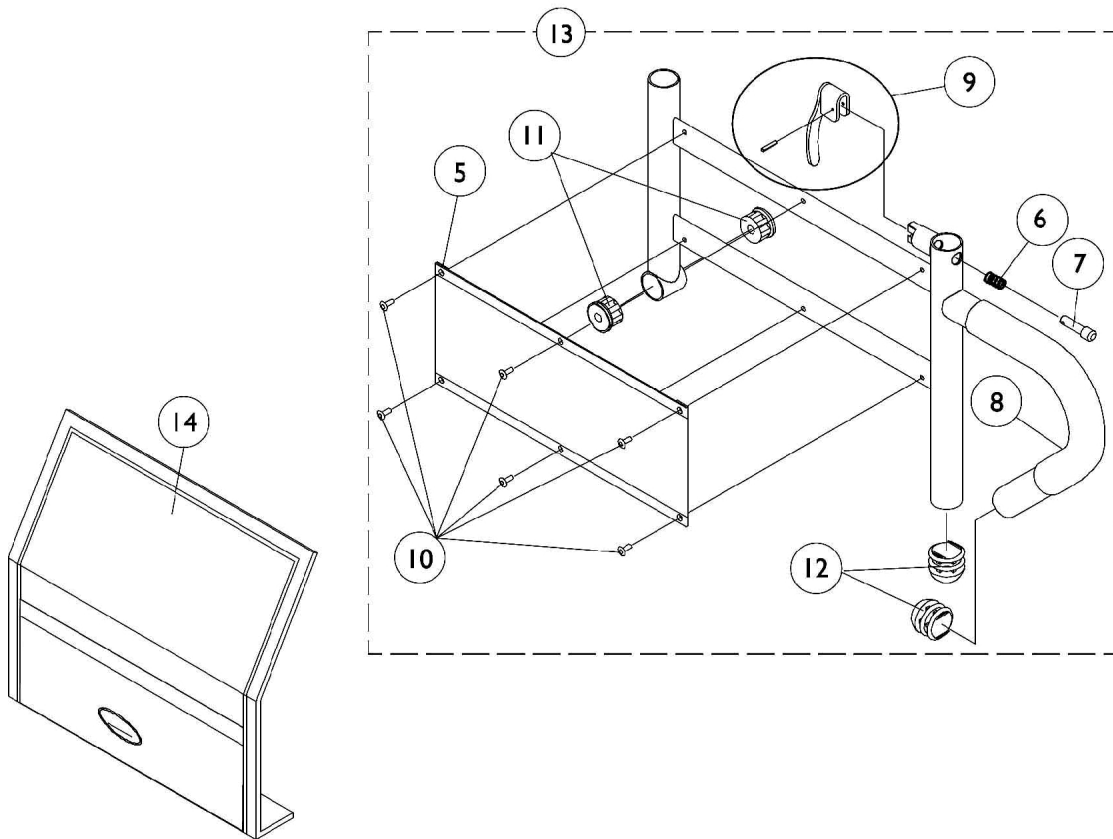
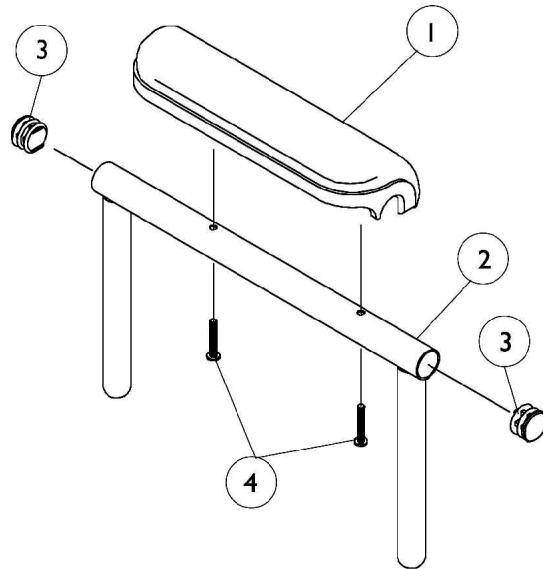


Arms, Adjustable Height (16-24" Wide) x (16- 22" Deep) Seat Frames



Arms, Adjustable Height (16-24" Wide) x (16- 22" Deep) Seat Frames

Item Number	Note	Part Number	Description	Quantity Per	
				Package	Assembly
1	A,D	1117328	Kit, Arm Pad w/ Screws, Full Length, Urethane Waterfall, Black (13" L x 2-5/8" W)	1	1
1		1110818	Kit, Arm Pad w/ Screws, Full Length, Urethane Waterfall, Black (13" L x 2-5/8" W) (Pair)	2	1
1	A,D	1117327	Kit, Arm Pad w/ Screws, Desk Length, Urethane Waterfall, Black (9" L x 2-5/8" W)	1	1
1		1110817	Kit, Arm Pad w/ Screws, Desk Length, Urethane Waterfall, Black (9" L x 2-5/8" W) (Pair)	2	1
2		1071253	Arm Tube Assembly w/ Plug Buttons, Full Length, Black - Right/Left	1	1
2		1070859	Arm Tube Assembly w/ Plug Buttons, Desk Length, Black - Right/Left	1	1
3		1027095	Plug Button, Black (7/8")	1	2
4		1055949	Package, Screw, Phillips Pan Head (#10-32 x 1-3/8")	2	1
4	B	1094270-NLA	NLA - Package, Screw, Phillips Pan Head (#10-32 x 1-1/4")	2	1
5		1064130-NLA	NLA - Guard, Clothing	1	1
6		47471X074	Spring, Arm Lock	1	1
7		1028594	Pin, Arm Lock, Black	1	1
8		1032244	Grip, Foam Hand (9" L)	1	1
9		1090768	Kit, Lock Handle w/Rivets (Pair)	2	1
10		1028645	Rivet	1	6
11		1065936	Plug, Pivot	1	2
12		1067734	Plug Button, Black (5/8")	1	2
13		1068416	Arm Base Assembly, Black - Right (16-19" D)	1	1
13		1068417	Arm Base Assembly, Black - Left (16-19" D)	1	1
13	C	1068418	Arm Base Assembly, Black - Right (20" and Deeper)	1	1
13	C	1068419	Arm Base Assembly, Black - Left (20" and Deeper)	1	1
13		1067761	Arm Base Assembly, 1" Lower, Black - Right (16-19" D)	1	1
13		1067762	Arm Base Assembly, 1" Lower, Black - Left (16-19" D)	1	1
13	C	1067755-NLA	NLA - Arm Base Assembly, 1" Lower, Black - Right (20" and Deeper)	1	1
13	C	1067756-NLA	NLA - Arm Base Assembly, 1" Lower, Black - Left (20" and Deeper)	1	1
14		1035065	Cover, Clothing Guard w/ Pocket, FXDESK & ADJFULL/ADJDESK	1	1

NOTE: A - As of 1/3/02 upholstered waterfall armpads were replaced with black urethane waterfall armpads. Order in pairs with screws for chairs manufactured before 1/3/02.
 B - For Black Urethane Waterfall Armpads only
 C - The ADJASBA seat frame for 19-22" depths must use the 16-19" deep arms only.
 D - After 7/9/07 Invacare recommends ordering armpads in pairs to assure uniform appearance on chair