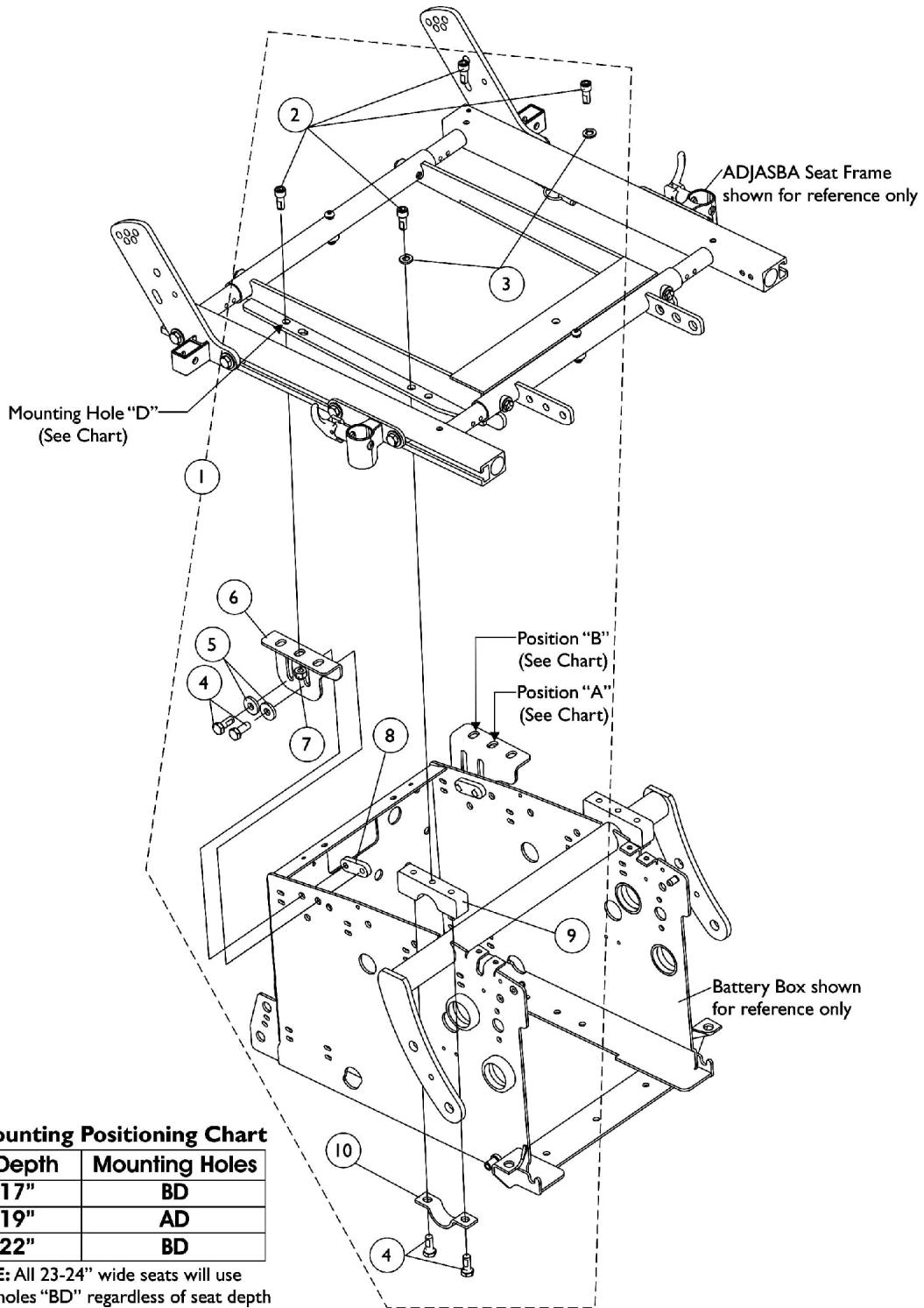


ADJASBA Seat Frame Mounting Hardware (16"-24" Wide) Low S-T-F (After 7/4/05)



Seat Mounting Positioning Chart

Seat Depth	Mounting Holes
16-17"	BD
18-19"	AD
20-22"	BD

NOTE: All 23-24" wide seats will use mounting holes "BD" regardless of seat depth

ADJASBA Seat Frame Mounting Hardware (16"-24" Wide) Low S-T-F (After 7/4/05)

Item Number	Note	Part Number	Description	Quantity Per	
				Package	Assembly
1	A	1133756-NLA	NLA - Kit, ADJASBA Seat Mounting Hardware, Low S-T-F	1	1
2			NLA - Screw, Socket Head (5/16-18 x 3/4")	1	4
3			NLA - Lockwasher, Split (5/16")	1	2
4			Screw, Hex Head w/ Patch (5/16-18 x 3/4")	1	8
5			Washer, Flat (21/64 x 53/64 x 7/64")	1	4
6			NLA - Plate, Low Seat-To-Floor Mounting, Rear - Right	1	1
6			NLA - Plate, Low Seat-To-Floor Mounting, Rear - Left	1	1
7			Locknut (5/16-18)	1	2
8			NLA - Nut, Strap	1	2
9			NLA - Bracket, Upper Seat, Front, Black	1	2
10			NLA - Bracket, Lower Seat, Front, Black	1	2

NOTE: A - Includes items 2-10