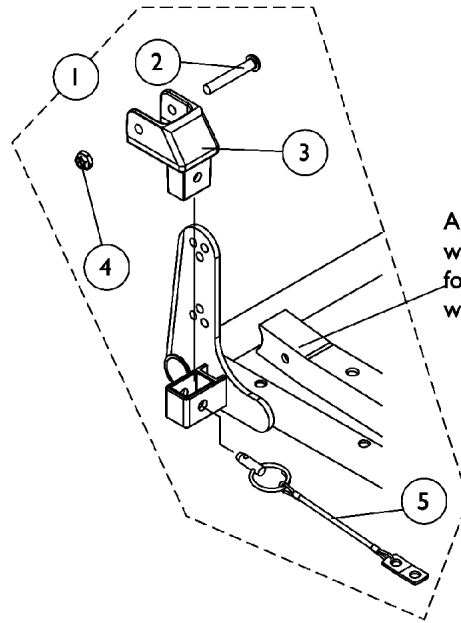
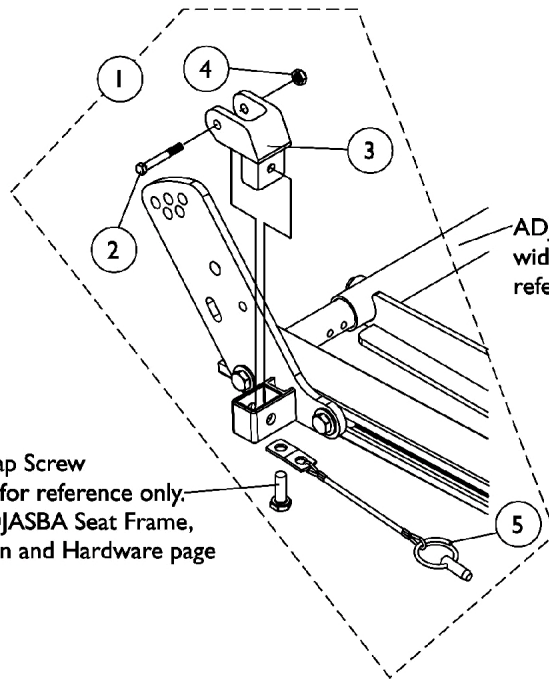


Arm Mounting Swingaway Hardware

ASBA and ADJASBA Seats



ASBA Seat Frame 16"-22"
wide before 7/5/05 shown
for reference only. 12"-15"
wide use the same hardware



ADJASBA Seat Frame 16"-22"
wide after 7/4/05 shown for
reference only

Hex Cap Screw
shown for reference only.
See ADJASBA Seat Frame,
Seat Pan and Hardware page

Arm Mounting Swingaway Hardware ASBA and ADJASBA Seats

Item Number	Note	Part Number	Description	Quantity Per	
				Package	Assembly
1	A	1068488	Kit, Swingaway Armrest Mounting Hardware	1	1
2		1019590	Screw, Socket Button Head (1/4-20 x 1-5/8")	1	1
3		1068025	Clevis, Pivot	1	1
4		1025195	Locknut (1/4-20)	1	1
5		1068039	Pin, Pull	1	1

NOTE: A - Includes items 2-5