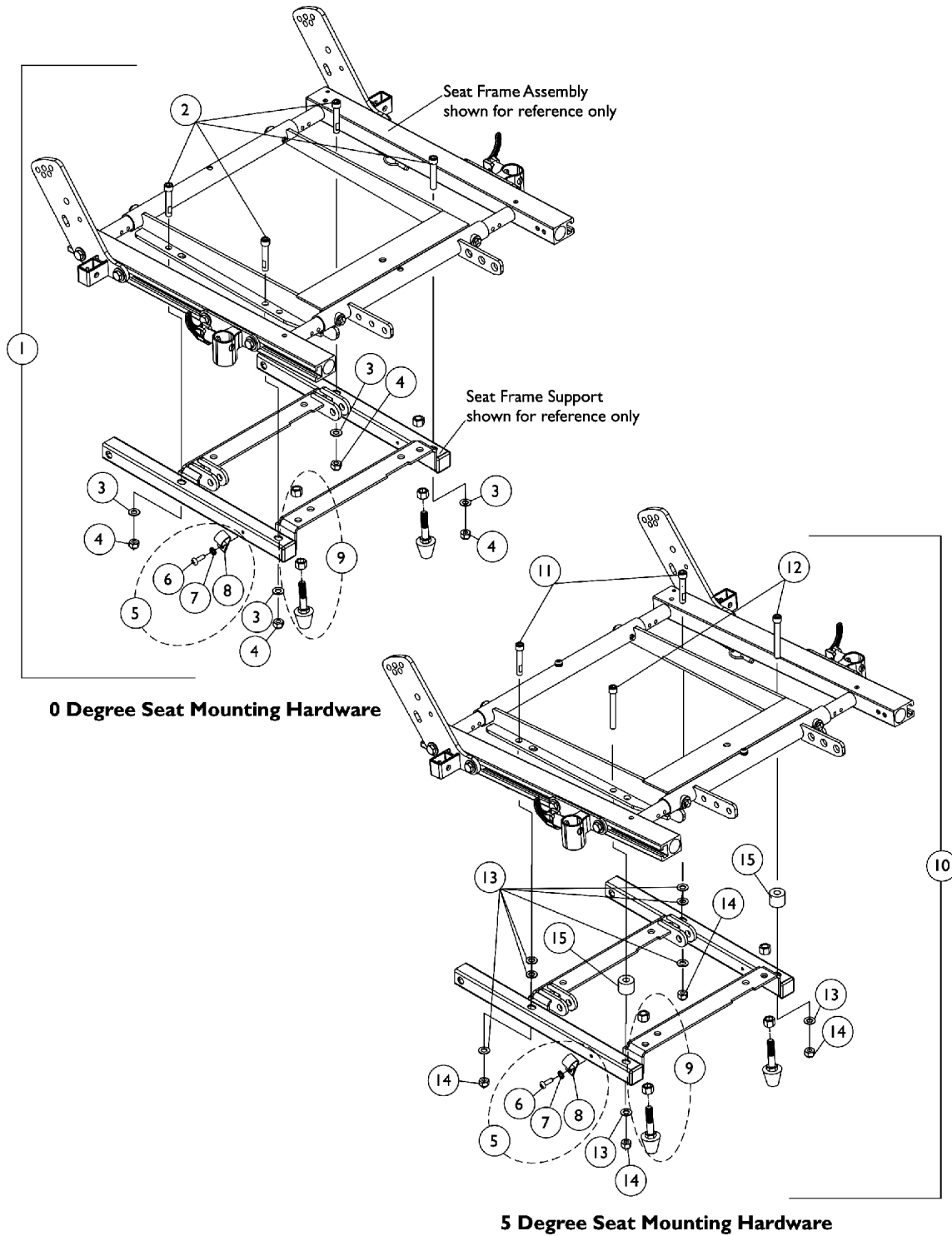


# ADJASBA Seat Mounting Hardware (16"-22" Wide) (After 7/4/05)



## ADJASBA Seat Mounting Hardware (16"-22" Wide) (After 7/4/05)

Item Number	Note	Part Number	Description	Quantity Per	
				Package	Assembly
1	A	1134497-NLA	NLA - Kit, 0 Degree 16-22" Wide ADJASBA Seat Mounting Hardware	1	1
2			Screw, Socket Head w/ Patch (5/16-18 x 1-3/4")	1	4
3			Washer, Flat (5/16 x 5/8 x 1/16")	1	4
4			Locknut (5/16-18)	1	4
5	B	1106544-NLA	NLA - Kit, Switch Clip with Mounting Hardware	1	1
6			NLA - Bracket, Cable/Wire Mounting, Black	1	1
7			Screw, Phillips Pan Head Tap (#10-16 x 3/4")	1	1
8			Lockwasher, External Tooth (#10)	1	1
9		1111007-NLA	NLA - Bumper with Mounting Hardware (Pair)	2	1
10	C	1134499-NLA	NLA - Kit, 5 Degree 16-22" Wide ADJASBA Seat Mounting Hardware	1	1
11			Screw, Socket Head w/ Patch (5/16-18 x 1-3/4")	1	2
12			NLA - Screw, Allen Head (5/16-18 x 2-1/2")	1	2
13			Washer, Flat (5/16 x 5/8 x 1/16")	1	8
14			Locknut (5/16-18)	1	4
15			NLA - Spacer (3/8 x 7/8 x 11/16")	1	2
NOTE: A - Includes items 2-4 B - Includes items 6-8 C - Includes items 11-15					