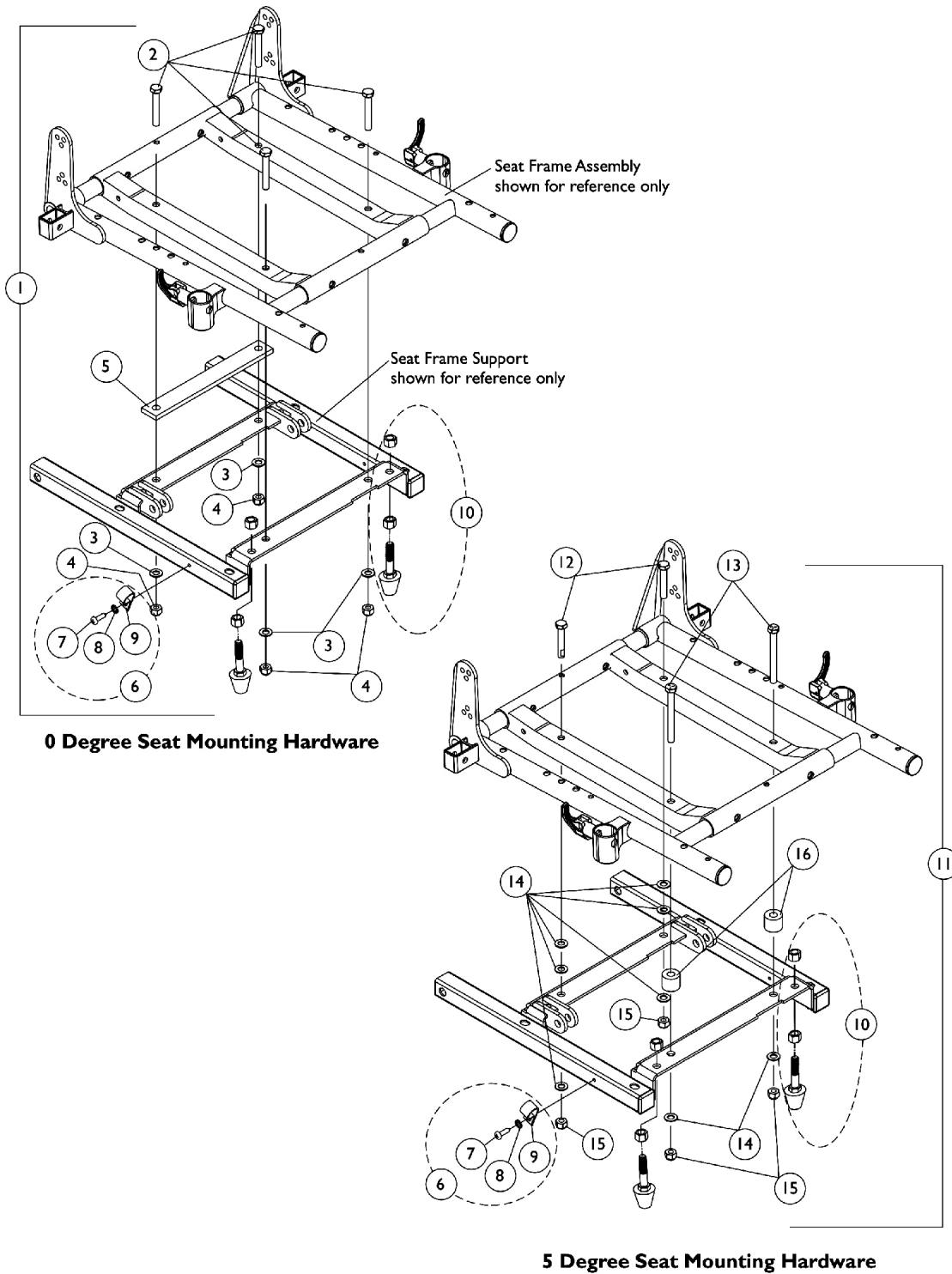


ASBA Seat Mounting Hardware (12"-15" Wide)



ASBA Seat Mounting Hardware (12"-15" Wide)

Item Number	Note	Part Number	Description	Quantity Per	
				Package	Assembly
1	A	1121054-NLA	NLA - Kit, 0 Degree 12-15 Wide ASBA Seat Mounting Hardware	1	1
2			NLA - Screw, Hex Head w/ Patch (5/16-18 x 1-3/4")	1	4
3			Washer, Flat (5/16 x 5/8 x 1/16")	1	4
4			Locknut (5/16-18)	1	4
1	B	1107308	NLA - Kit, 0 Degree (12-15 Wide ASBA) & (12-16 Wide ADJASBA) Seat Mounting Hardware	1	1
2			NLA - Screw, Hex Head (5/16-18 x 2")	1	4
3			Washer, Flat (5/16 x 5/8 x 1/16")	1	4
4			Locknut (5/16-18)	1	4
5			NLA - Plate, Spacer	1	1
6	C	1106544-NLA	NLA - Kit, Switch Clip with Mounting Hardware	1	1
7			NLA - Bracket, Cable/Wire Mounting, Black	1	1
8			Screw, Phillips Pan Head Tap (#10-16 x 3/4")	1	1
9			Lockwasher, External Tooth (#10)	1	1
10		1111007-NLA	NLA - Bumper with Mounting Hardware (Pair)	2	1
11	D	1088014-NLA	NLA - Kit, 5 Degree (12-15" Wide ASBA) & (12-16" Wide ADJASBA) Seat Mounting Hardware	1	1
12			NLA - Screw, Hex Head w/ Patch (5/16-18 x 1-3/4")	1	2
13			NLA - Screw, Hex Head (5/16-18 x 3")	1	2
14			Washer, Flat (5/16 x 5/8 x 1/16")	1	8
15			Locknut (5/16-18)	1	4
16			NLA - Spacer (3/8 x 7/8 x 11/16")	1	2

NOTE: A - Hardware Before 2/17/03 and includes items 2-4. A Spacer Plate was added after 2/16/03. When a new Seat Frame Support is needed, Seat Mounting Hardware dated after 2/16/03 must be ordered.
 B - Hardware After 2/16/03 and includes items 2-5
 C - Includes items 7-9
 D - Includes items 12-16