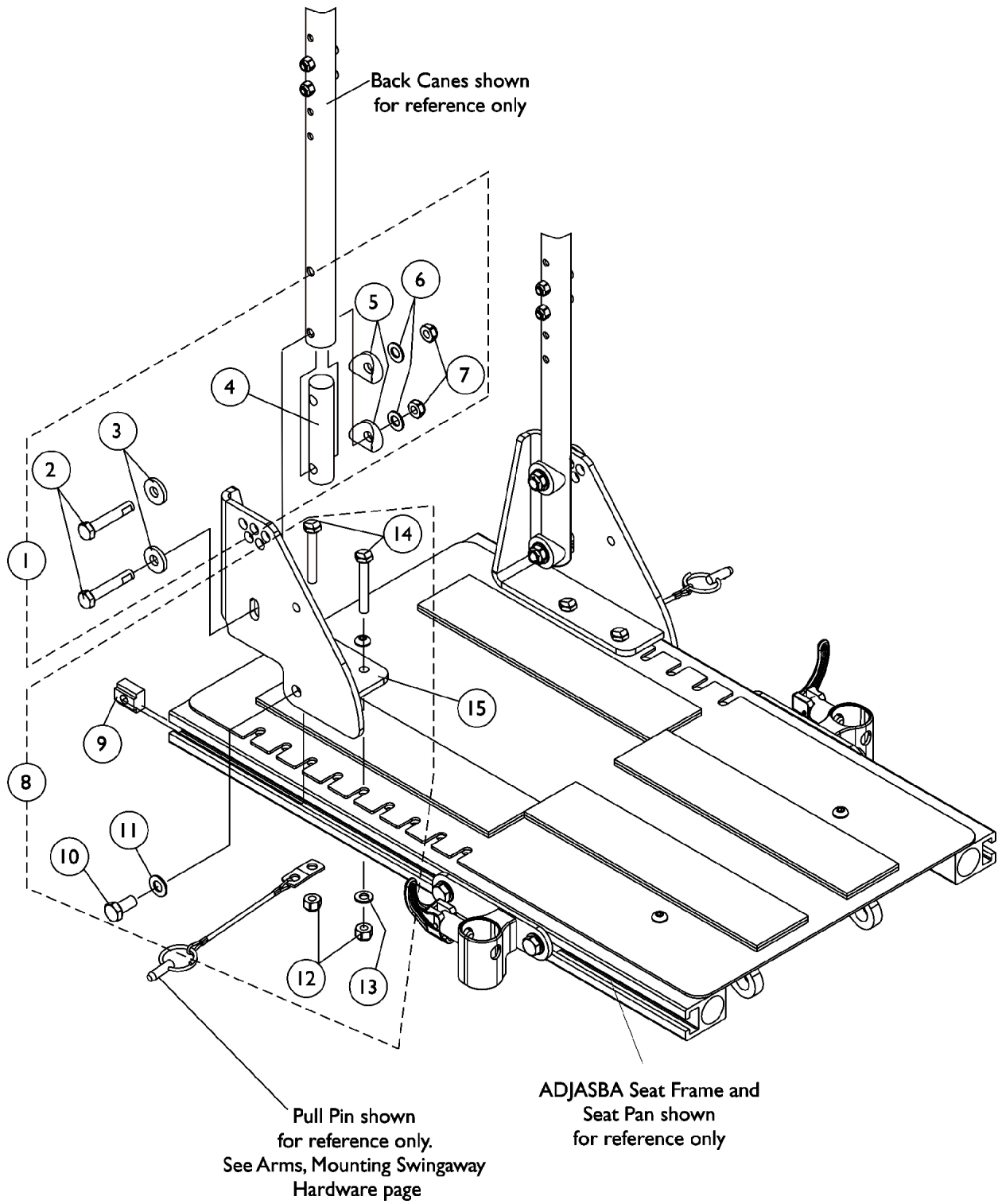


Back Cane Attaching Hardware

For ADJASBA Seat (12"-16" Wide) (After 7/4/05)



Back Cane Attaching Hardware For ADJASBA Seat (12"-16" Wide) (After 7/4/05)

Item Number	Note	Part Number	Description	Quantity Per	
				Package	Assembly
1	A	1126146-NLA	Kit, Back Cane Attaching Hardware	2	1
2			NLA - Screw, Hex Head w/ Patch (5/16-18 x 1-3/4")	1	4
3			Washer, Flat (21/64 x 53/64 x 7/64")	1	4
4			NLA - Insert, Back Cane	1	2
5			Spacer, Coved (3/4 x 1 x 1/2")	1	4
6			Washer, Flat (5/16 x 5/8 x 1/16")	1	4
7			Locknut (5/16-18)	1	4
8	B	1135499-NLA	NLA - Kit, Back Cane Bracket Mounting Hardware	2	1
9			T-Nut (5/16-18)	1	2
10			Screw, Hex Head w/ Patch (5/16-18 x 5/8")	1	2
11			Washer, Flat (5/16 x 5/8 x 1/16")	1	2
12			Locknut (1/4-20)	1	4
13			Washer (1/4 x 1/2 x 1/16")	1	2
14			NLA - Screw, Hex Head (1/4-20 x 1-3/4")	1	4
15		1133597-NLA	NLA - Bracket, Back Cane Mounting, Black - Right	1	1
15		1133598-NLA	NLA - Bracket, Back Cane Mounting, Black - Left	1	1
NOTE: A - Includes items 2-7 B - Includes items 9-14					